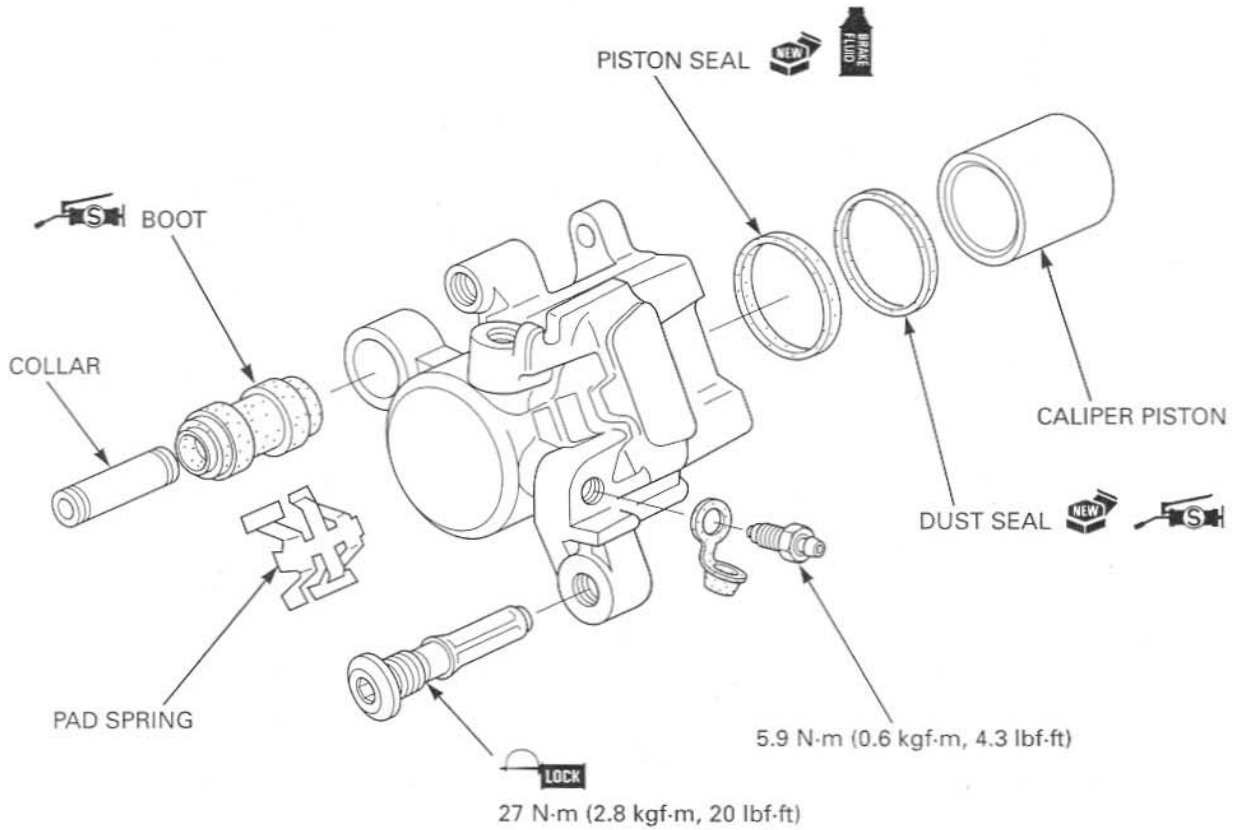


HYDRAULIC BRAKE

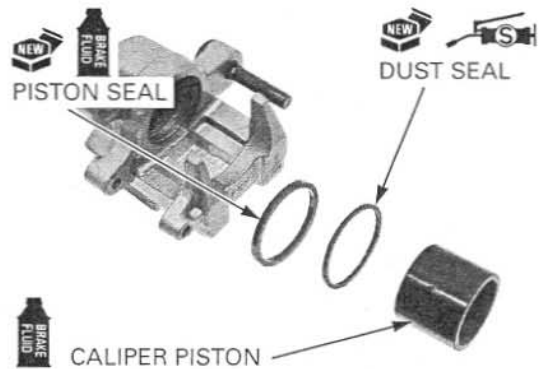
ASSEMBLY



Coat a new piston seal with clean brake fluid.
Coat a new dust seal with silicone grease.

Install the piston seal and dust seal into the groove of the caliper body.

Coat the caliper piston with clean brake fluid and install it into the caliper cylinder with its open end toward the pad.



Install the pad spring into the caliper body.

Apply silicone grease to the inside of the boot and install the boot and collar into the caliper.

If the boot is hard or deteriorated, replace it with a new one.

