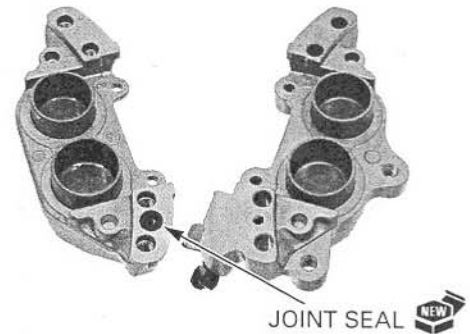
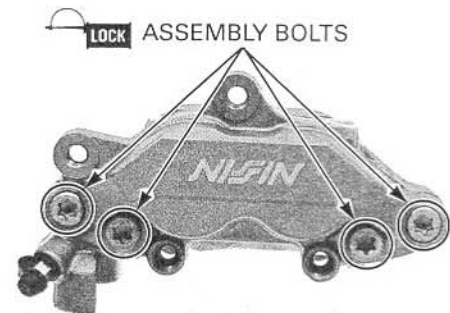


Install the new joint seal into the fluid passage on caliper.



Assemble the caliper halves.  
Apply a locking agent to the caliper assembly torx bolt threads.  
Tighten the caliper assembly torx bolts to the specified torque.

**TORQUE: 23 N·m (2.3 kgf·m, 17 lbf·ft)**

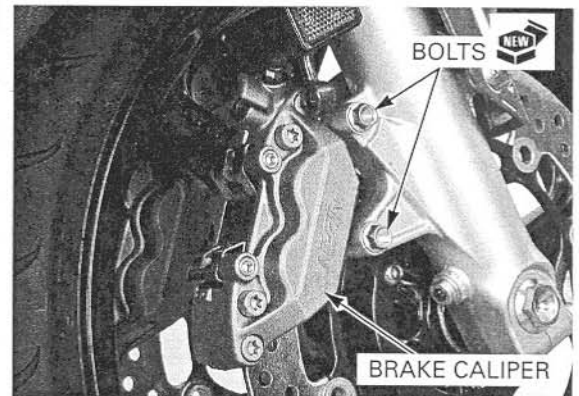


### INSTALLATION

Install the brake pads and caliper onto the fork leg (page 16-9).

Tighten the new caliper mounting bolts to the specified torque.

**TORQUE: 30 N·m (3.1 kgf·m, 22 lbf·ft)**



Install the brake hose eyelet joint to the caliper body with two new sealing washers and oil bolt.

Push the brake hose eyelet joint to the stopper on the caliper, then tighten the oil bolt to the specified torque.

**TORQUE: 34 N·m (3.5 kgf·m, 25 lbf·ft)**

Fill brake fluid and bleed air the front brake hydraulic system (page 16-7).

