

BEARING REPLACEMENT

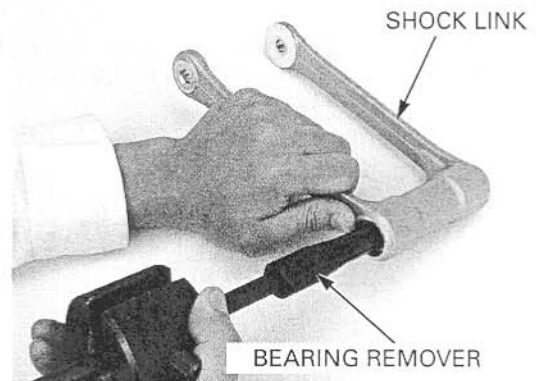
SHOCK LINK NEEDLE BEARING

Remove the pivot collar and dust seals.

Remove the needle bearings from the shock link using the special tools.

TOOLS:

Bearing remover, 17 mm	07936-3710300
Remover handle	07936-3710100
Remover weight	07741-0010201 or 07936-371020A



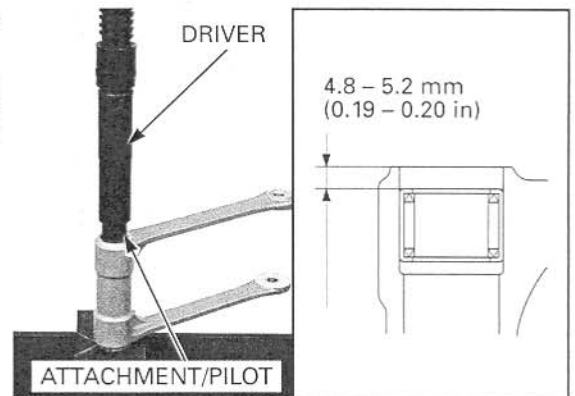
Press the needle bearing into the shock link with the marked side facing out.

Pack the new needle bearings with multi-purpose grease.

Press the new needle bearings into the shock link so that the needle bearing surface is lower 4.8 – 5.2 mm (0.19 – 0.20 in) from the end of the shock link using the special tools.

TOOLS:

Driver	07749-0010000
Attachment, 22 X 24 mm	07746-0010800
Pilot, 17 mm	07746-0040400



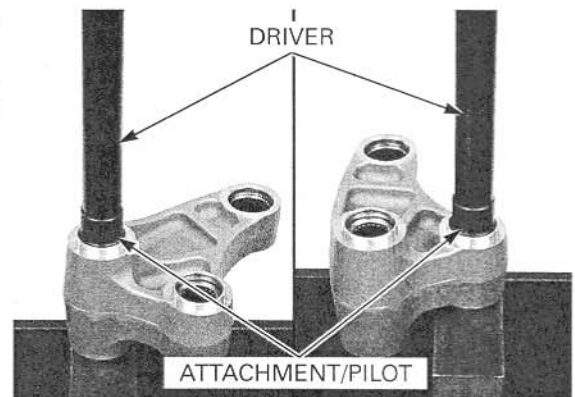
SHOCK ARM NEEDLE BEARING

Remove the pivot collars, thrust washers, side collars and dust seals.

Press the needle bearings (shock link side, swing-arm side) out of the shock arm using the special tools and a hydraulic press.

TOOLS:

Driver	07949-3710001
Attachment, 22 X 24 mm	07746-0010800
Pilot, 17 mm	07746-0040400



Press the needle bearing (shock absorber side) out of the shock arm using the special tools and a hydraulic press.

TOOLS:

Driver	07949-3710001
Attachment, 24 X 26 mm	07746-0010700
Pilot, 22 mm	07746-0041000

