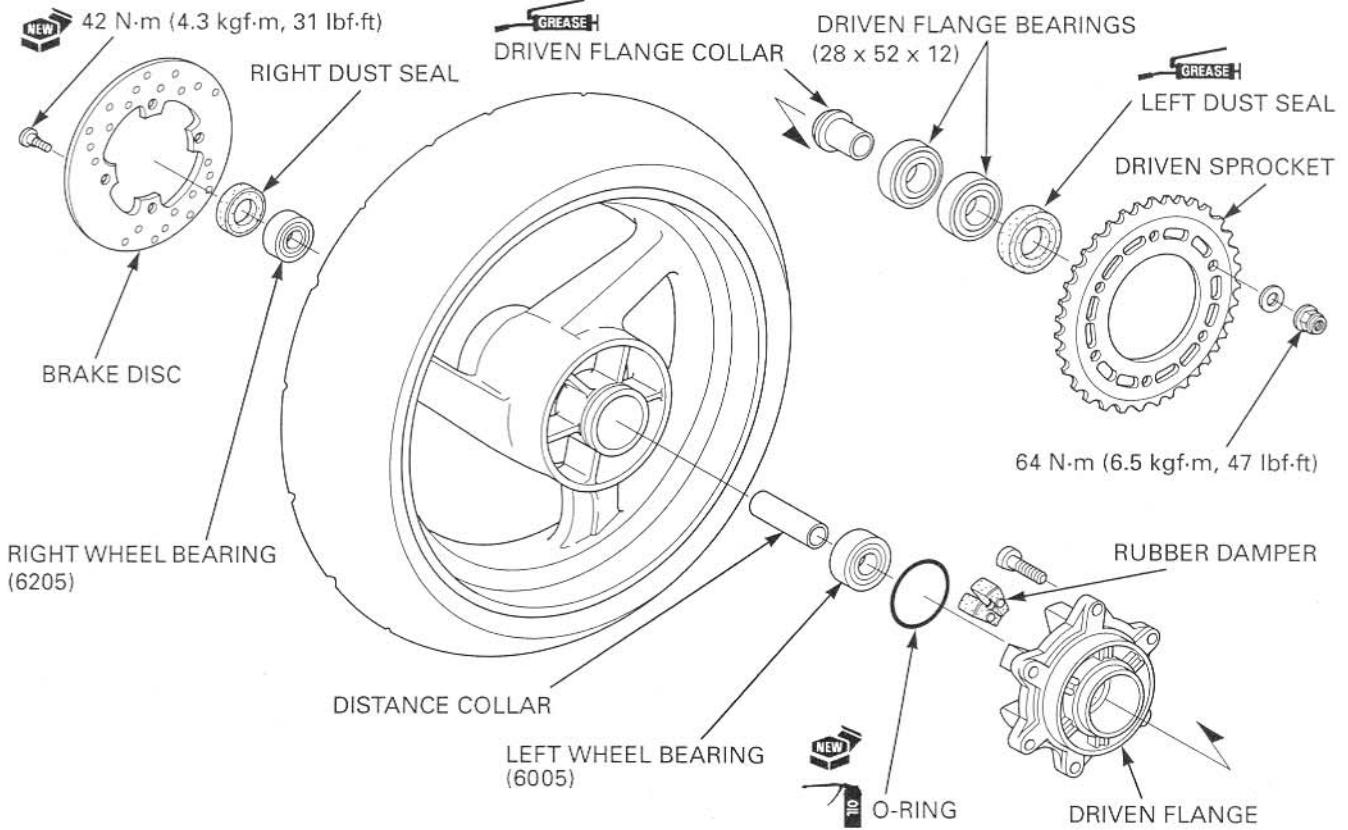


REAR WHEEL/SUSPENSION

ASSEMBLY



Never install the old bearings, once the bearings has been removed, the bearings must be replaced with new ones.

Wheel bearing installation

Drive in a new left bearing squarely.

TOOLS:

Driver	07749-0010000
Attachment, 42 X 47 mm	07746-0010300
Pilot, 25 mm	07746-0040600

Install the distance collar

Drive in a new right bearing squarely.

TOOLS:

Driver	07749-0010000
Attachment, 52 X 55 mm	07746-0010400
Pilot, 25 mm	07746-0040600

