

FRONT WHEEL/SUSPENSION/STEERING

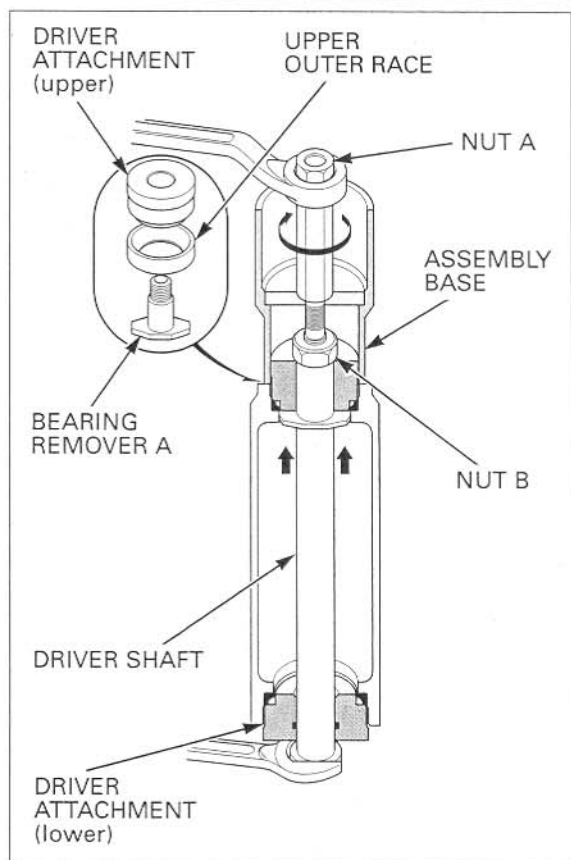
Note the installation direction of the assembly base; the small I.D. side facing the upper attachment.

Install the special tools into the steering head as shown.

Align the bearing remover A with the grooves in the steering head.

Lightly tighten the nut B with a wrench.

Holding the driver shaft with a wrench, turn the nut A gradually to remove the upper outer race.



Note the installation direction of the assembly base; the large I.D. side facing the lower attachment.

Install the special tools into the steering head as shown and remove the lower outer race using the same procedure as for the upper outer race.

