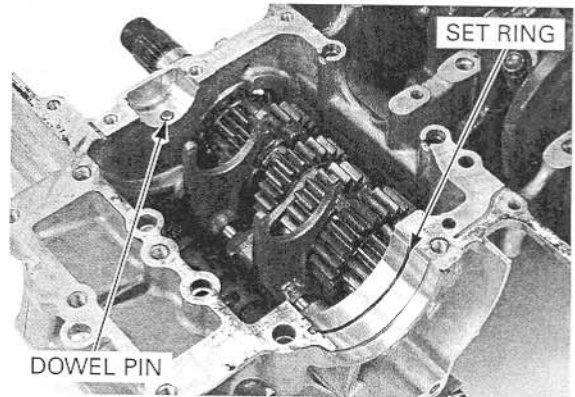


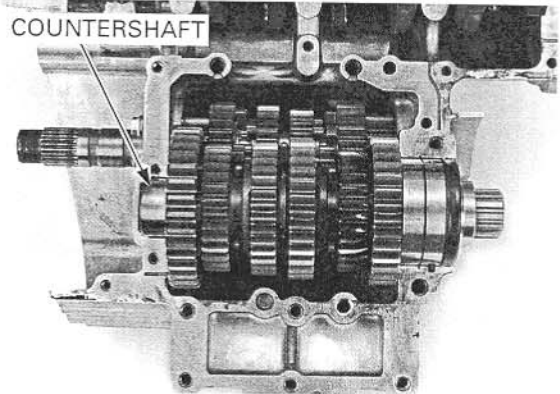
## CRANKCASE/TRANSMISSION

Install the dowel pin in the upper crankcase hole.

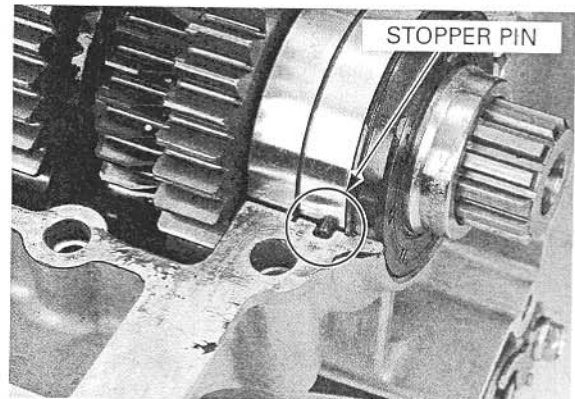
Install the countershaft bearing set ring into the upper crankcase groove.



Install the countershaft by aligning the countershaft bearing groove with the set ring on the crankcase, and bearing cap hole with the dowel pin.



Also align the countershaft bearing stopper pin with the groove in the crankcase.



## CRANKCASE ASSEMBLY

Apply a light, but thorough, coating of liquid sealant to the crankcase mating surface. Do not apply sealant to the crankcase 8 mm bolt (main journal bolt) area and the oil passage area as shown.

