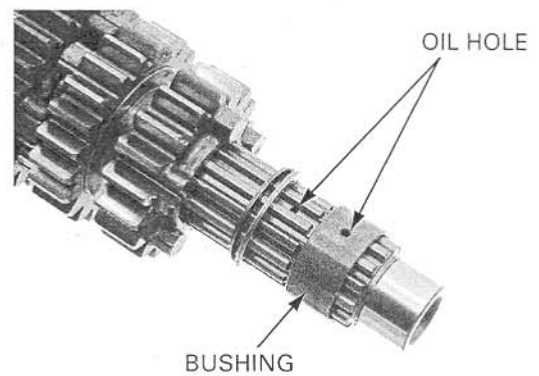


Assemble the transmission gear and shafts.
 Coat each gear with clean engine oil and check for smooth movement.
 Align the oil holes in the M6 bushing and mainshaft, and the C3, C4 spline bushings and countershaft.



- Align the lock washer tabs with the spline washer grooves.
- Always install the thrust washer and snap ring with the chamfered (rolled) edge facing away from the thrust load.
- Install the snap ring so that its end gap aligns with the groove of the splines.
- Make sure that the snap ring is fully seated in the shaft groove after installing it.

