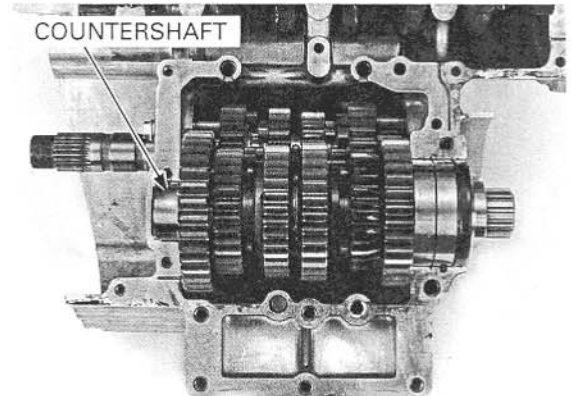


SHIFT FORK/SHIFT DRUM/ TRANSMISSION

REMOVAL/DISASSEMBLY

Separate the crankcase halves (page 12-5).

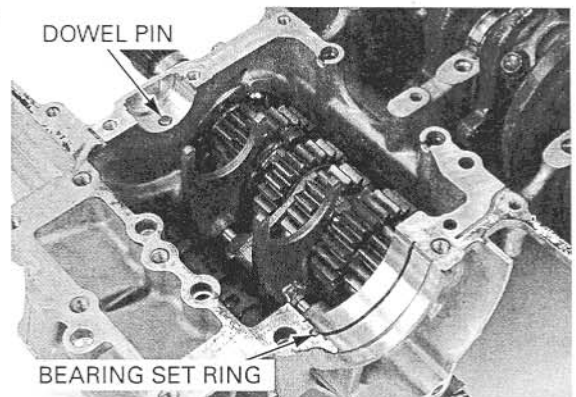
Remove the countershaft assembly.



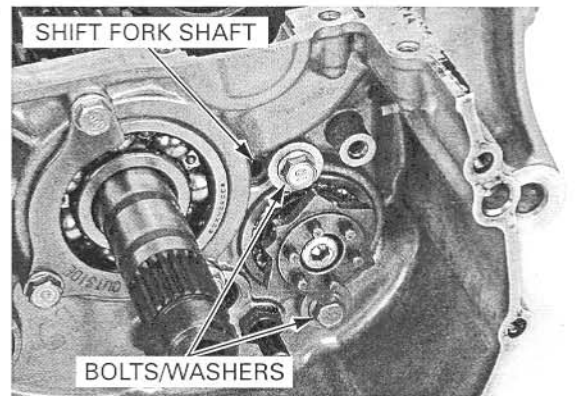
Remove the dowel pin and countershaft bearing set ring.

Disassemble the countershaft.

Clean all disassembled parts in solvent thoroughly.



Remove the shift drum bearing set plate bolts/washers.



Remove the fork shaft and shift forks.

