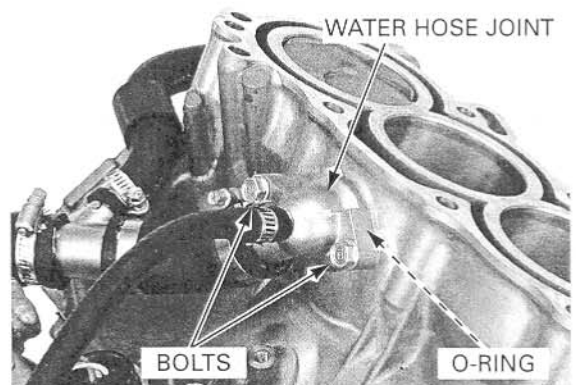


CRANKCASE SEPARATION

Refer to Service Information See page 12-3 for removal of necessary parts before separating the crankcase.

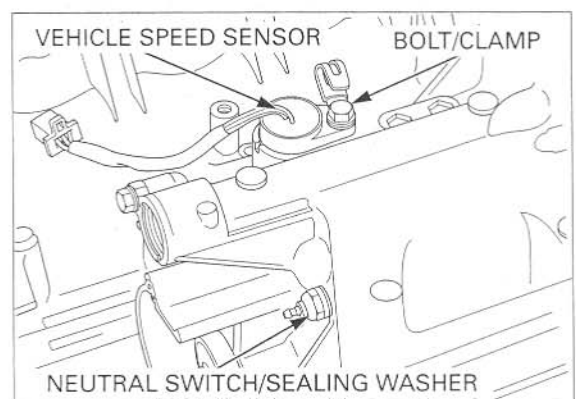
Remove the bolts, water hose joint and O-ring.



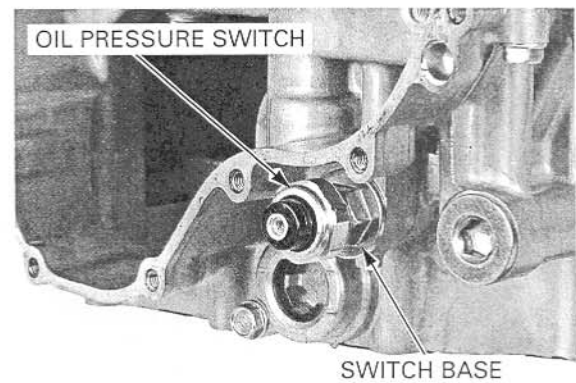
Remove the vehicle speed sensor before separating the crankcase. Do not separate or assemble the crankcase with the vehicle speed sensor installed.

Remove the bolt, clamp and vehicle speed sensor from the crankcase.

Remove the neutral switch and sealing washer from the crankcase.



Remove the oil pressure switch while holding the switch base.



Remove the bolts, oil inspection window and O-ring from the crankcase.

