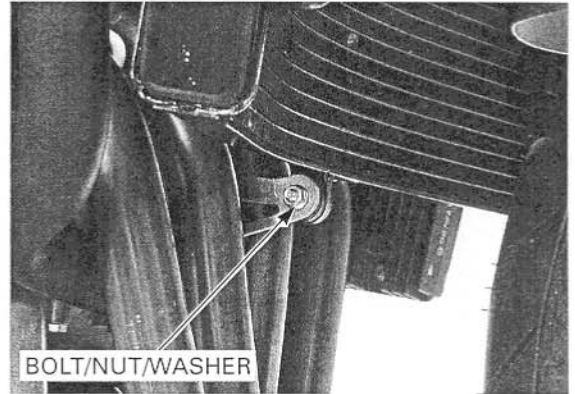


## COOLING SYSTEM

Remove the radiator lower mounting bolt/nut and washer.

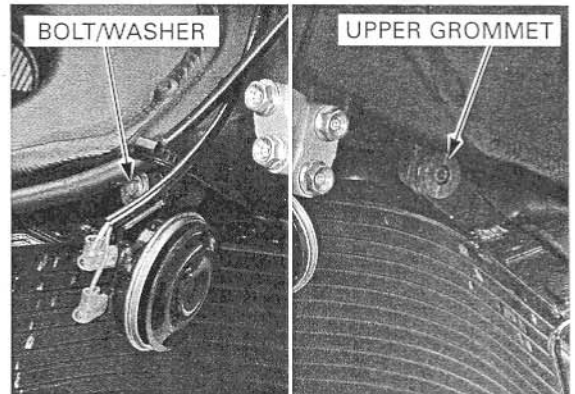


Remove the wire band.

Remove the radiator upper mounting bolt, washer and horn mounting stay.

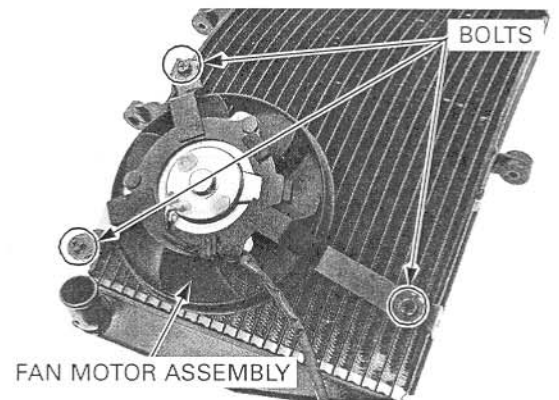
*Be careful not to damage the radiator fins.*

Release the radiator upper grommet from the frame boss by moving the radiator to the left, then remove the radiator assembly.



### DISASSEMBLY

Remove the three bolts and cooling fan motor assembly from the radiator.



Remove the nut and cooling fan.

