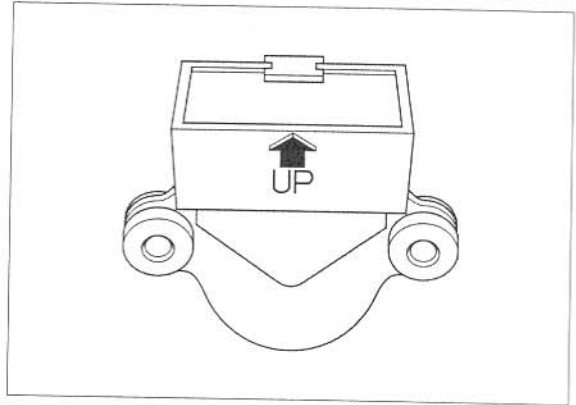


FUEL SYSTEM (Programmed Fuel Injection)

Install the bank angle sensor with its "UP" mark facing up.

Installation is in the reverse order of removal.
Tighten the mounting screws securely.



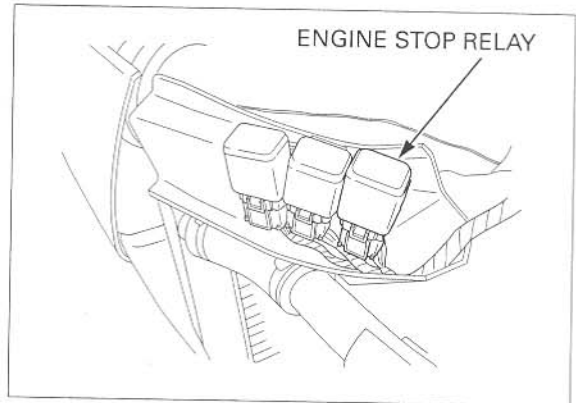
ENGINE STOP RELAY

INSPECTION

Remove the following:

- Lower cowls (page 3-6)
- Middle cowls (page 3-7)

Disconnect the engine stop relay 4P connector, remove the engine stop relay.



Connect the ohmmeter to the engine stop relay connector terminals.

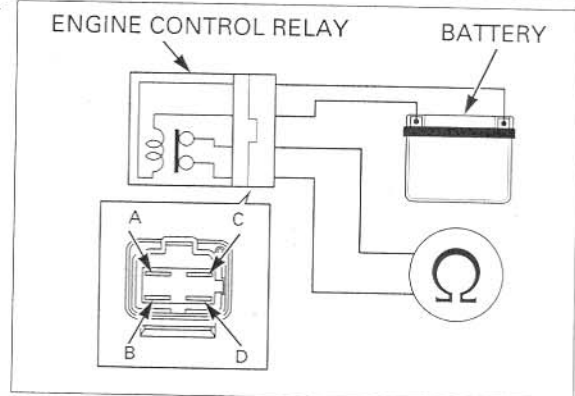
Connection: A - B

Connect a 12 V battery to the following engine stop relay connector terminals.

Connection: C (+) - D (-)

There should be continuity only when the 12 V battery is connected.

If there is no continuity when the 12 V battery is connected, replace the engine stop relay.



ENGINE CONTROL MODULE (ECM)

REMOVAL/INSTALLATION

Remove the fuel tank cover (page 3-15).

Remove the two screws and ECM cover.

