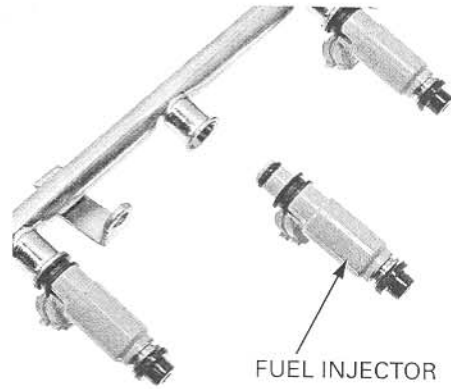


FUEL SYSTEM (Programmed Fuel Injection)

Remove the injectors from the fuel rail.



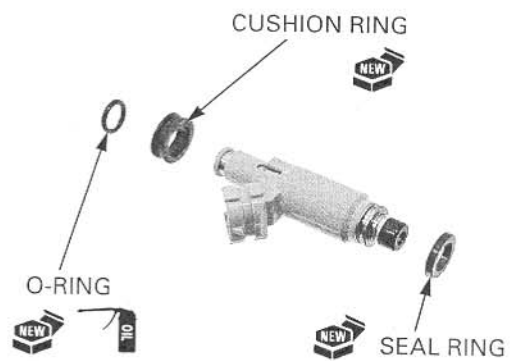
Remove the seal ring, O-ring and cushion ring.

INSTALLATION

Apply oil to the new O-ring.

Replace the seal ring, cushion ring and O-ring with new ones as a set.

Install the new seal ring, cushion ring and O-ring, being careful not to damage the O-ring.



Install the fuel injectors into the fuel rail, being careful not to damage the O-ring and cushion ring.



Install the fuel rail/primary injector assembly onto the throttle body, being careful not to damage the seal rings.

