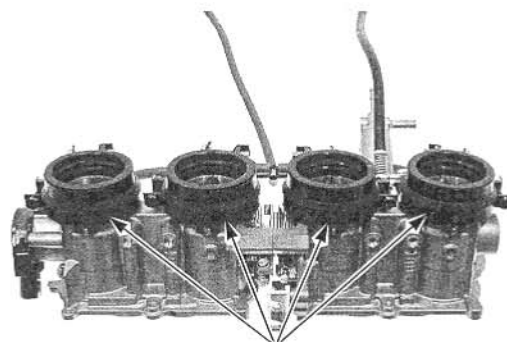


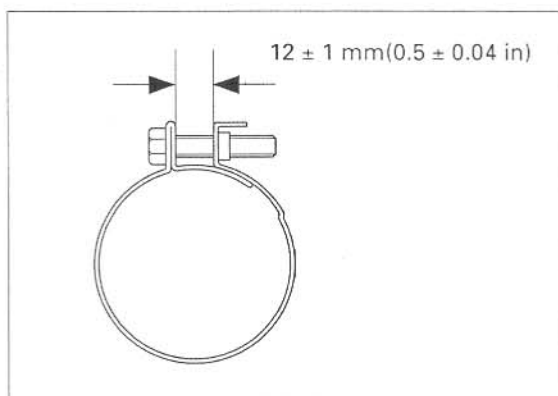
### INSTALLATION

Check the insulator band angle.  
Install the insulators onto the throttle body.



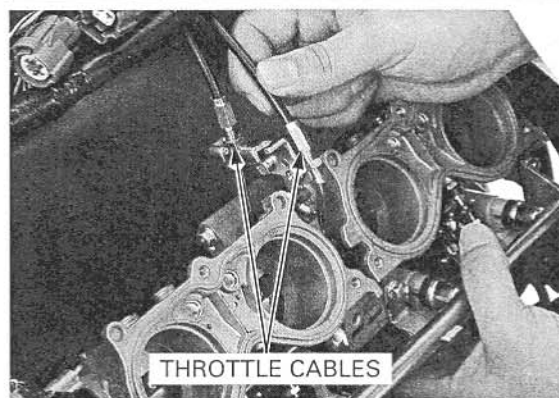
Tighten the throttle body side insulator band screw so that the insulator band distance is  $12 \pm 1$  mm ( $0.5 \pm 0.04$  in).

Apply oil to the insulator inside surfaces for ease of throttle body installation.



*Route the throttle cables properly (page 1-22).*

Connect the throttle cable ends to the throttle drum.



*Do not hold the fuel pipe on the throttle body to install the throttle body.*

Install the throttle body onto the cylinder head.

