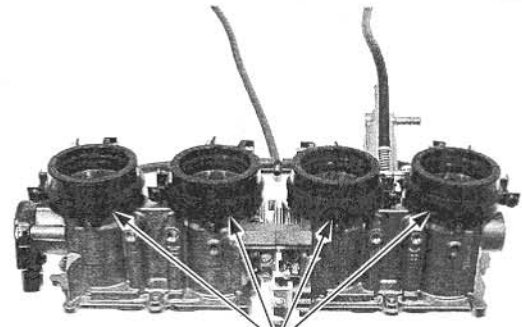


FUEL SYSTEM (Programmed Fuel Injection)

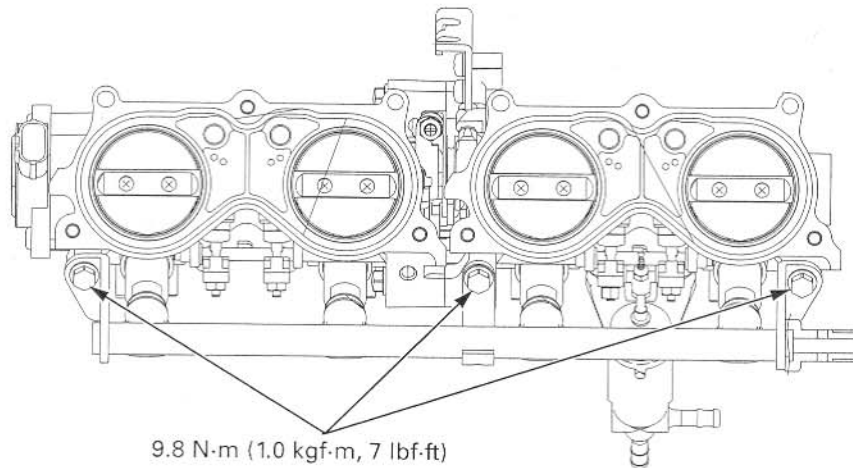
Loosen the insulator band screws and remove the insulators from the throttle body.



INSULATORS

- Do not damage the throttle body. It may cause incorrect throttle and idle valve synchronization.
- The throttle body is factory pre-set. Do not disassemble in a way other than shown in this manual.
- Do not loosen or tighten the white painted bolts and screws of the throttle body. Loosening or tightening them can cause throttle and idle valve synchronization failure.

TOP VIEW:



REAR VIEW:

