

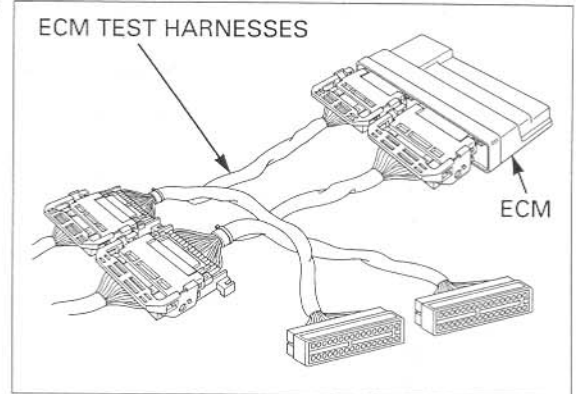
## FUEL SYSTEM (Programmed Fuel Injection)

Connect the ECM test harnesses between the main wire harness and the ECM.

**TOOLS:**

ECM test harness

070MZ-0010200  
(two required)

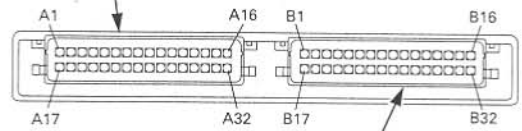


### TEST HARNESS TERMINAL LAYOUT

The ECM connector terminals are numbered as shown.

#### VIEW FROM WIRE HARNESS SIDE:

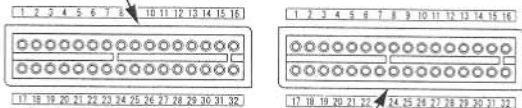
A: 32P (BLACK) CONNECTOR



B: 32P (LIGHT GRAY) CONNECTOR

The ECM test harness terminals are same layout as for the ECM connector terminals as shown.

#### FOR 32P (BLACK) CONNECTOR



FOR 32P (LIGHT GRAY) CONNECTOR

