

DRIVE CHAIN

Never inspect and adjust the drive chain while the engine is running.

DRIVE CHAIN SLACK INSPECTION

Turn the ignition switch OFF, place the motorcycle on its side stand and shift the transmission into neutral.

Check the slack in the drive chain lower run midway between the sprockets.

CHAIN SLACK: 25 – 35 mm (1 – 1-3/8 in)

NOTICE

Excessive chain slack, 50 mm (2.0 in) or more, may damage the frame.

Lubricate the drive chain with #80 – 90 gear oil or chain lubricant designed specifically for use with O-ring chains. Wipe off the excess oil or chain lubricant.

ADJUSTMENT

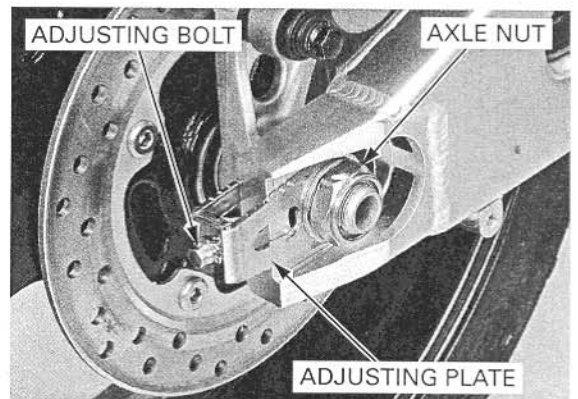
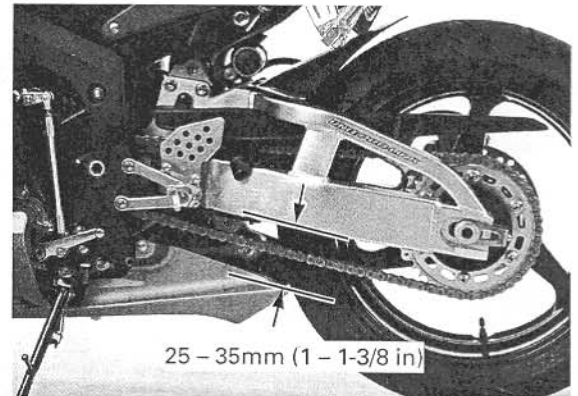
Loosen the rear axle nut.

Turn both adjusting bolts until the correct drive chain slack is obtained.

Make sure the index marks on both adjusting plates are aligned with the end of the swingarm.

Tighten the rear axle nut to the specified torque.

TORQUE: 113 N·m (11.5 kgf·m, 83 lbf·ft)

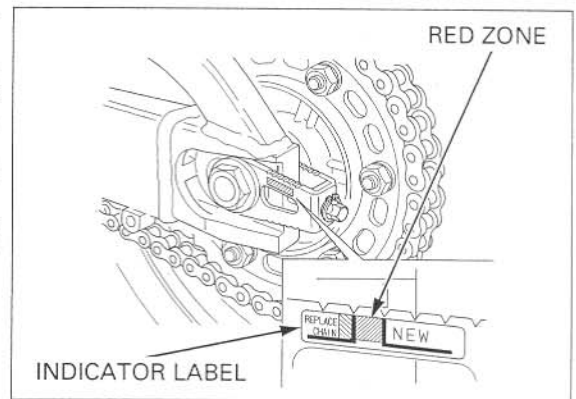


Recheck the drive chain slack and free wheel rotation.

Lubricate the drive chain with #80 – 90 gear oil or drive chain lubricant designed specifically for use with O-ring chains. Wipe off the excess oil or chain lubricant.

Check the drive chain wear indicator label attached on the left drive chain adjusting plate.

If the swingarm index mark reaches red zone of the indicator label, replace the drive chain with a new one (page 4-23).



CLEANING AND LUBRICATION

Clean the chain with non-flammable or high flash point solvent and wipe it dry.

Be sure the chain has dried completely before lubricating.

Inspect the drive chain for possible damage or wear. Replace any chain that has damaged rollers, loose fitting links, or otherwise appears unserviceable.

Installing a new chain on badly worn sprockets will cause the new chain to wear quickly.

Inspect and replace sprocket as necessary.

