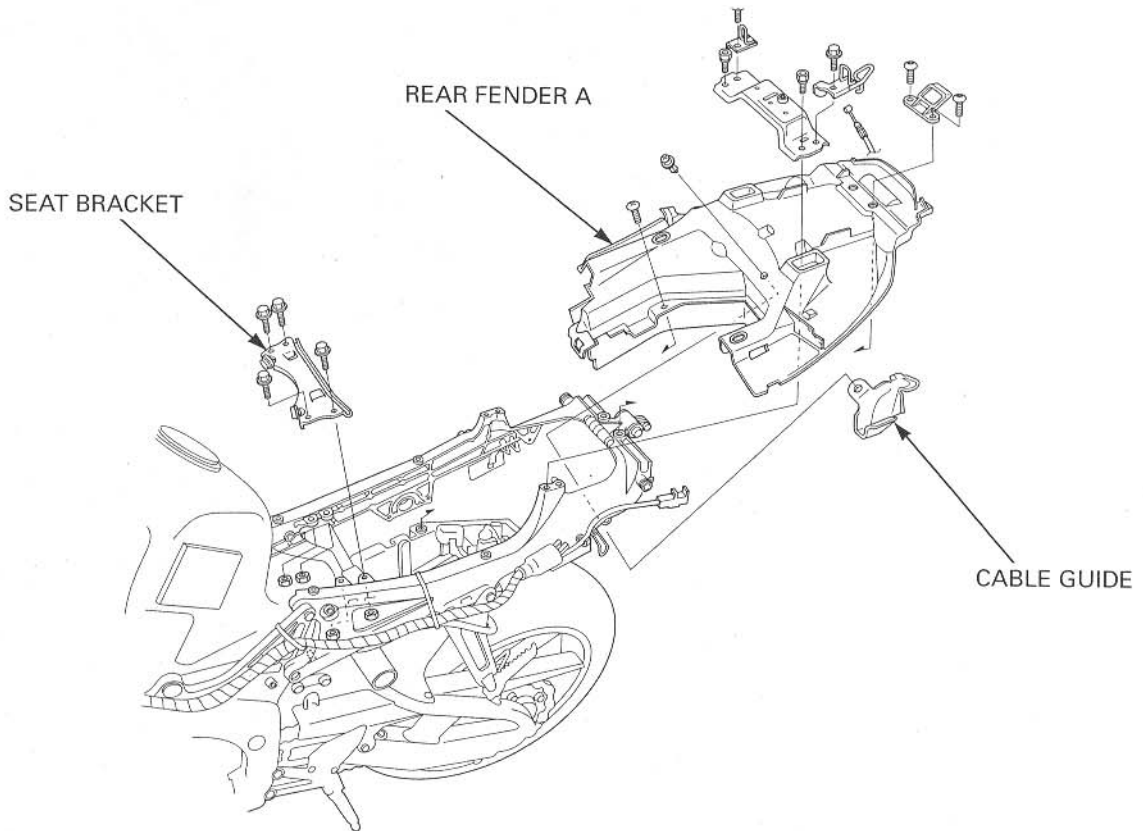


FRAME/BODY PANELS/EXHAUST SYSTEM

INSTALLATION

Installation is in the reverse order of removal.



SEAT RAIL

REMOVAL

Remove the following:

- Muffler (page 3-20)
- Rear fender (page 3-16)
- Fuel tank (page 6-61)
- Battery tray (page 17-7)

Loosen the four seat rail brace socket bolts.

Remove the seat rail upper mounting bolts/nuts and lower mounting bolts/collars/nuts, then remove the seat rail.

