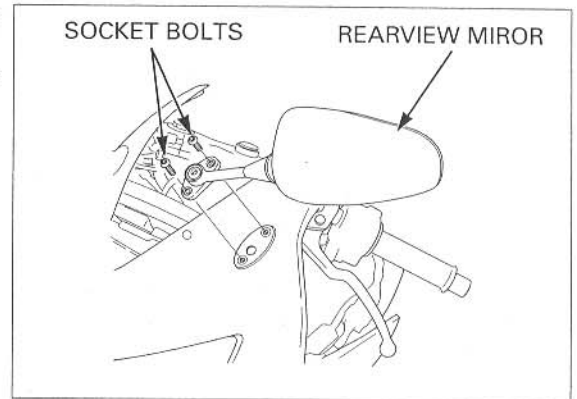


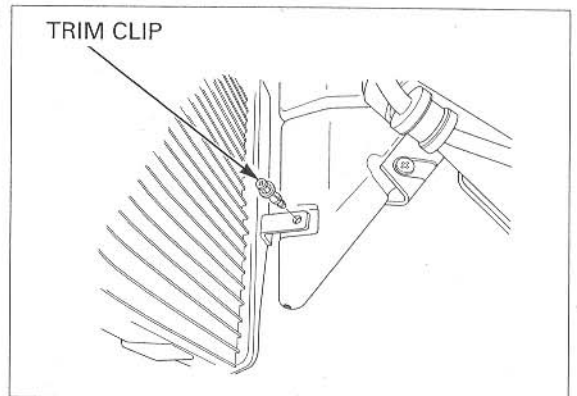
## FRAME/BODY PANELS/EXHAUST SYSTEM

Align the rearview mirror bolt hole studs of upper cowl with the rearview mirror stay.

Install the rearview mirror and tighten the socket bolts securely.



Install the trim clips and resonator chambers onto the radiator.



Install the windscreen, then install the rubber and plastic washers and screws. Tighten the screws to the specified torque.

**TORQUE: 0.5 N·m (0.05 kgf·m, 0.4 lbf·ft)**

Install the following:

- Air duct covers (page 3-9)
- Middle cowls (page 3-7)
- Lower cowls (page 3-6)

