

FRAME/BODY PANELS/EXHAUST SYSTEM

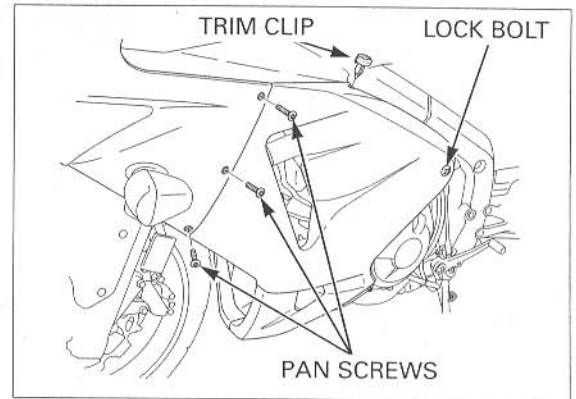
Install the middle cowl and lock the lock bolt by turning it clockwise.

Tighten the upper cowl-to-middle cowl pan screws to the specified torque.

TORQUE: 1.5 N·m (0.15 kgf·m, 1.1 lbf·ft)

Install the trim clip.

Install the lower cowls (page 3-6).



AIR DUCT COVERS

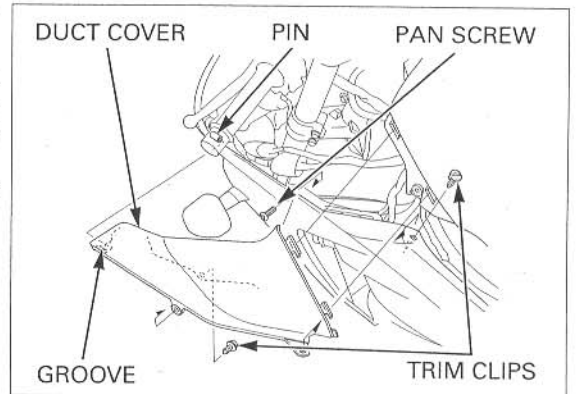
REMOVAL/INSTALLATION

Remove the upper cowl-to-middle cowl pan screw and the two trim clips.

Be careful not to damage the tabs and grooves.

Release the groove of the air duct cover from the pin of the upper cowl and unhook the tabs of the duct cover from the fuel tank cover, then remove the air duct cover.

Install the air duct cover of the reverse order of removal.



UPPER COWL

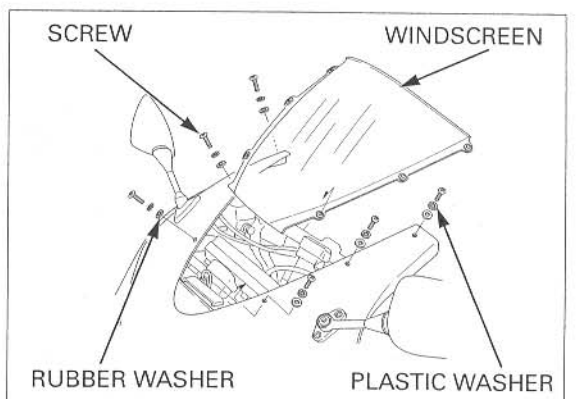
REMOVAL

Remove the following:

- Lower cowls (page 3-6)
- Middle cowls (page 3-7)
- Air duct covers (page 3-9)

It is not necessary to remove the windscreen in order to remove the upper cowl.

Remove the screws, plastic and rubber washers, then remove the windscreen.



Remove the two trim clips and resonator chambers from the radiator.

