

# 22. TECHNICAL FEATURES

**AUTOMATIC FIRST IDLE SYSTEM**

22-1

**IMMOBILIZER SYSTEM**

22-3

**KNOCK SENSOR**

22-2

## AUTOMATIC FIRST IDLE SYSTEM

This motorcycle's first idle system is fully automatic system controlled by the wax unit. Wax unit case is connected to the engine cooling system by two water hoses.

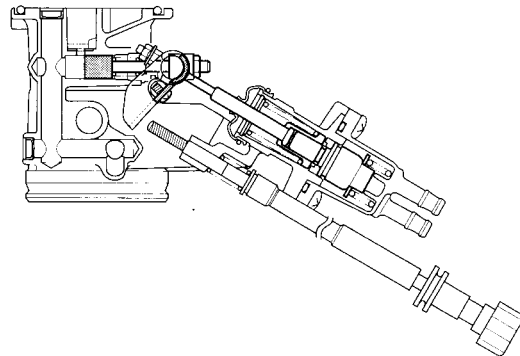


When the engine coolant temperature is low, the wax unit shaft is pulled into the wax body by the force of the return spring in the wax unit.

At this time, starter valves in the throttle body are fully open, and the bypass air is drawn into the throttle bore.

The engine speed is up by increasing the bypass air volume.

**COOLANT TEMPERATURE IS LOW:**



The engine is running and the coolant temperature is up, the wax element in the unit is inflated and pushing the wax unit shaft gradually.

The starter valves are gradually closed, and the bypass air flow is regulated.

The engine speed is gradually down and then keeps the idle speed.

**COOLANT TEMPERATURE IS UP:**

