

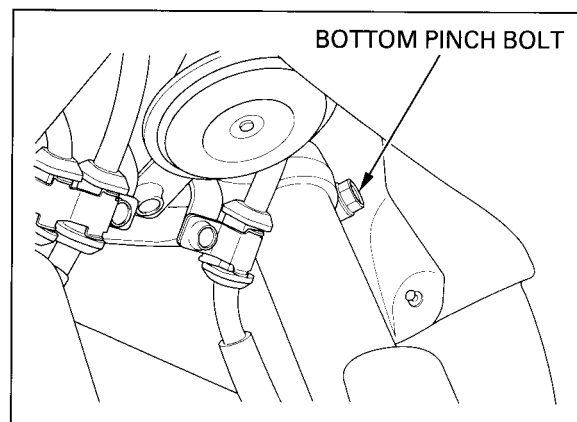
INSTALLATION

Install the fork legs into the steering stem, fork top bridge and handlebar.
Position the top end of the fork tube 39 mm (1.5 in) from the upper surface of the top bridge as shown.



Tighten the bottom bridge pinch bolt to the specified torque.

TORQUE: 49 N·m (5.0 kgf·m , 36 lbf·ft)



Tighten the top bridge pinch bolt to the specified torque.

TORQUE: 23 N·m (2.3 kgf·m , 17 lbf·ft)



Tighten the fork cap to the specified torque (if it was removed).

TORQUE: 23 N·m (2.3 kgf·m , 17 lbf·ft)

Tighten the handlebar pinch bolt to the specified torque.

TORQUE: 26 N·m (2.7 kgf·m , 20 lbf·ft)

Install the handlebar stop ring into the groove of the fork tube.

