

FRONT WHEEL/SUSPENSION/STEERING

Pour the specified amount of recommended fork fluid into the fork tube.

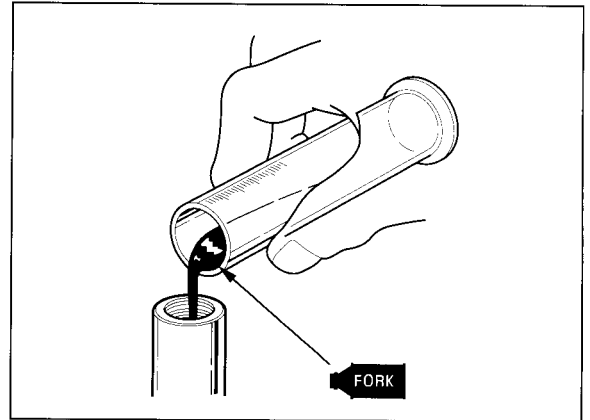
RECOMMENDED FORK FLUID:

Fork fluid

FORK FLUID CAPACITY:

$483 \pm 2.5 \text{ cm}^3$ (16.3 \pm 0.08 US oz,
17.0 \pm 0.09 Imp oz)

Pump the damper rod several times.

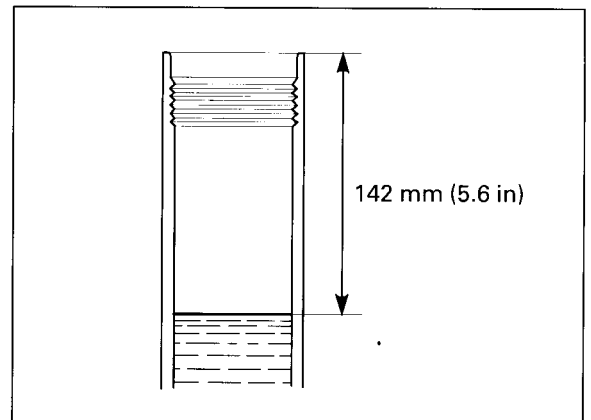


Measure the oil level from the top of the fork tube while compressing the tube all the way after stroking the fork tube slowly more than 5 times and the damper rod more than 10 times.

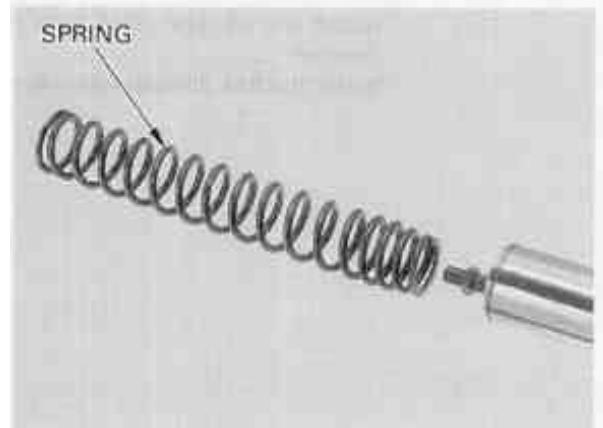
NOTE:

Be sure the oil level is the same in the both forks.

FORK OIL LEVEL: 142 mm (5.6 in)



Pull the damper rod up and install the fork spring with the tapered end facing down.



Install the spring joint plate.

Screw the damper rod end nut fully by hand.

