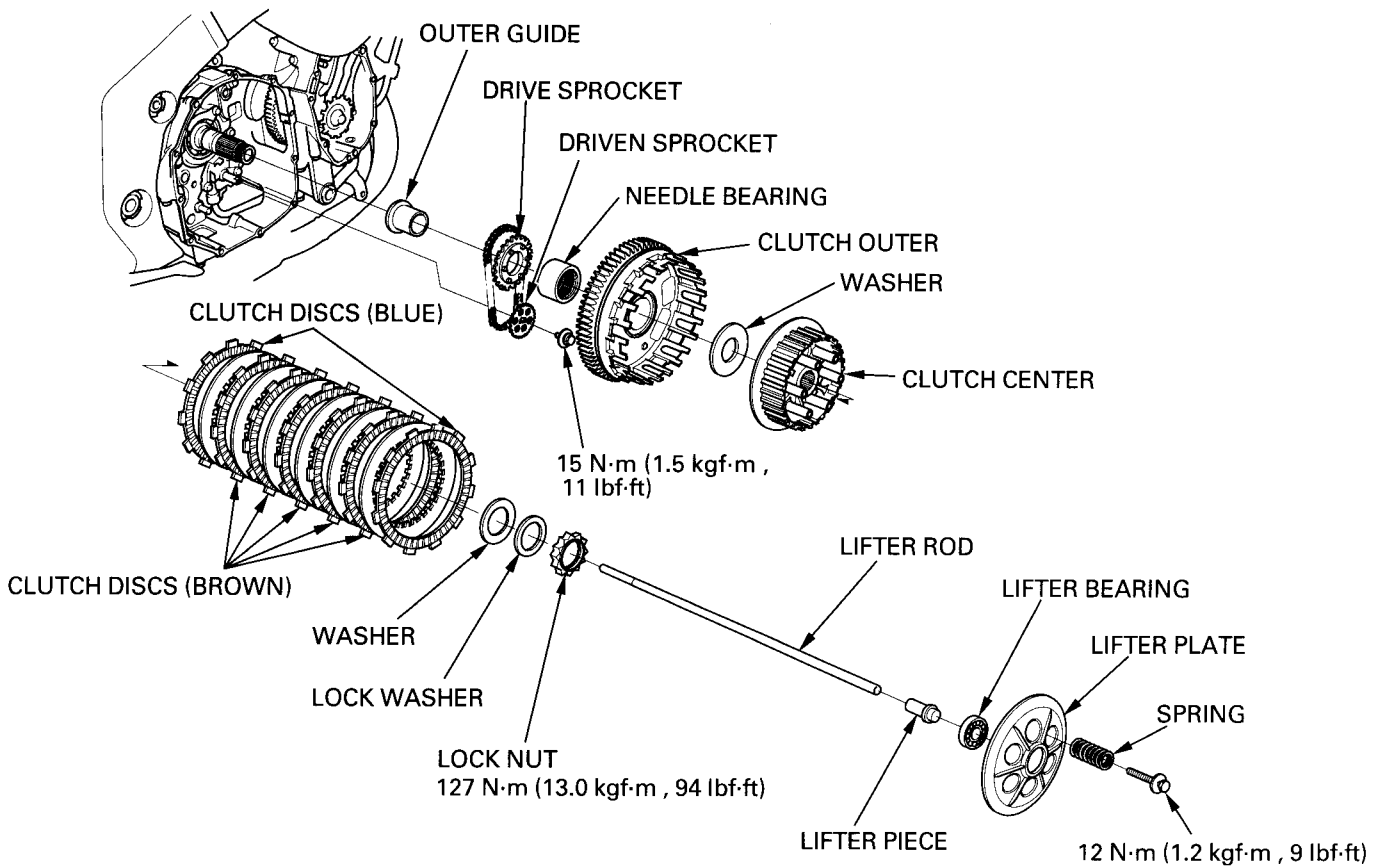


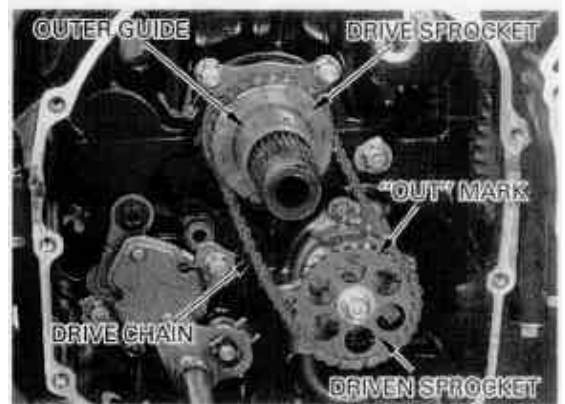
INSTALLATION



Install the clutch outer guide, oil pump drive/driven sprocket and drive chain as an assembly.

NOTE:

Install the oil pump driven sprocket with its "OUT" mark facing out.



Apply a locking agent to the threads of the oil pump driven sprocket bolt. Tighten the driven sprocket bolt to the specified torque.

TORQUE: 15 N·m (1.5 kgf·m, 11 lbf·ft)

