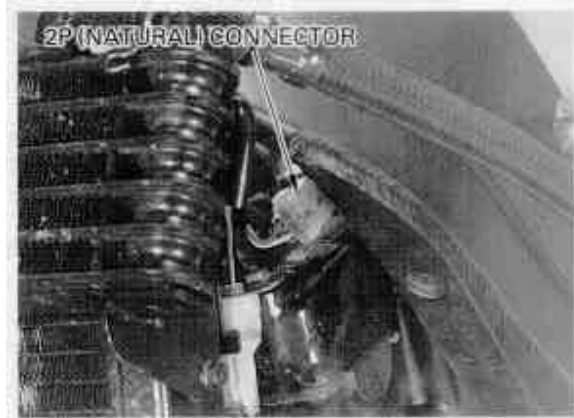


CYLINDER HEAD/VALVES

Connect the PAIR control solenoid valve 2P (Natural) connector.

Install the spark plug caps (page 3-9).
Install the air cleaner housing (page 5-57).

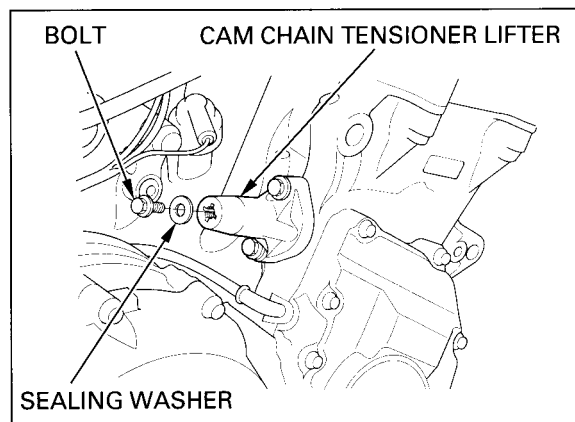


CAM CHAIN TENSIONER LIFTER

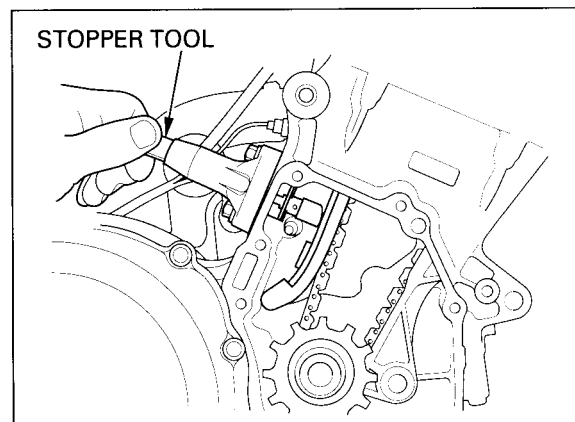
REMOVAL

Remove the lower cowl (page 2-3).

Remove the cam chain tensioner sealing bolt and sealing washer.



Turn the tensioner shaft fully in (clockwise) and secure it using the stopper tool to prevent damaging the cam chain.
See page 8-8 for detail of the tool.



Remove the bolts, sealing washers and cam chain tensioner lifter.
Remove the gasket.

