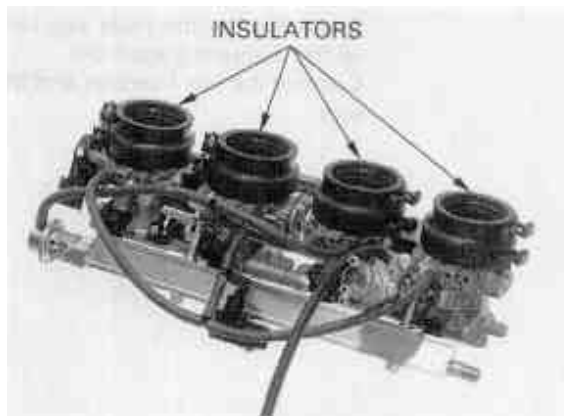


INSTALLATION

Check the insulator band angle.

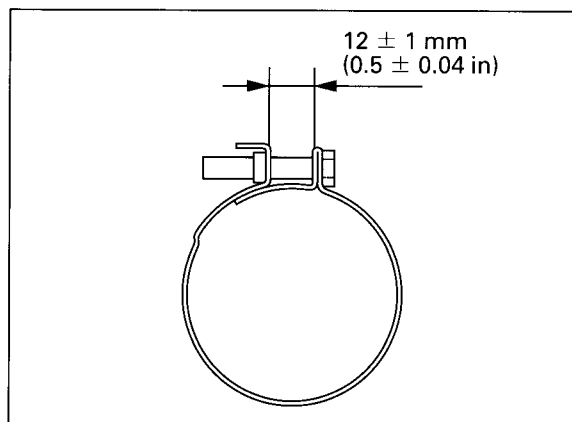


Apply oil to the insulator inside surfaces for ease of throttle body installation.

Install the throttle body onto the cylinder head.



Tighten the insulator band so that the insulator band distance is 12 ± 1 mm (0.5 ± 0.04 in).



Connect the water tubes to the first idle wax unit, tighten the clamp screw securely.

