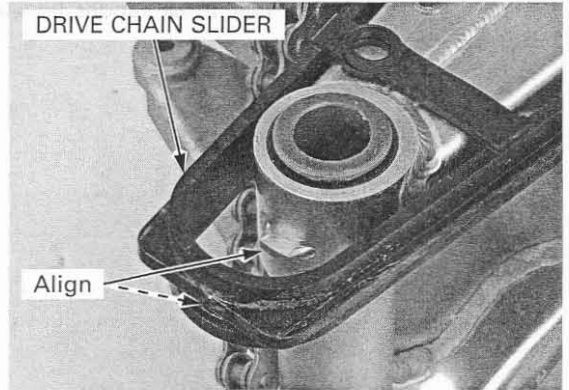


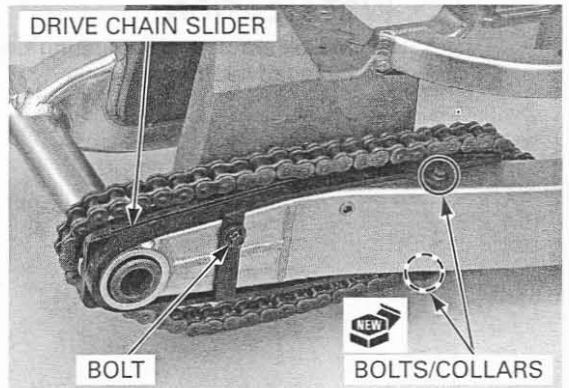
Install the drive chain slider aligning its slit with the boss on the swingarm.



Install the drive chain slider mounting bolt (front).
Install the collars and new drive chain slider mounting bolts (rear).

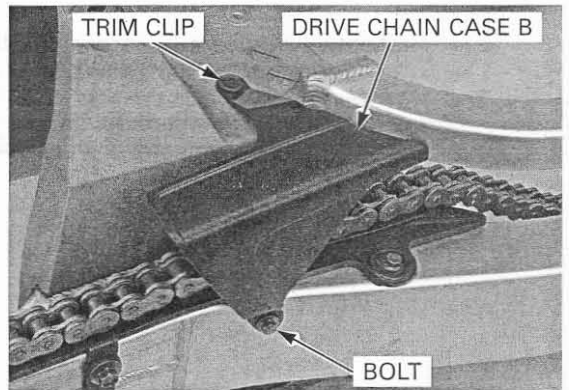
Tighten the bolts to the specified torque.

TORQUE: 8.8 N·m (0.9 kgf·m, 6.5 lbf·ft)



Install the drive chain case B and tighten the bolt securely.

Install the trim clip.



Install the drive chain case A and tighten the bolts securely.

