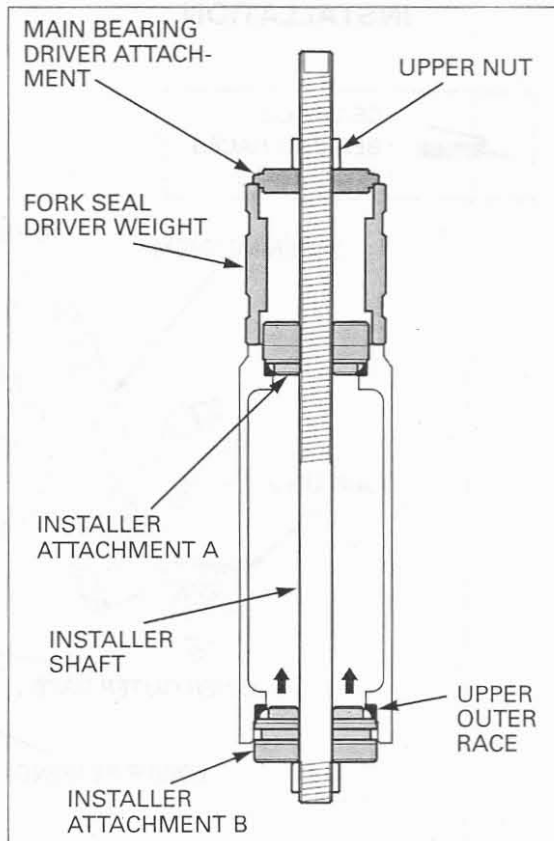
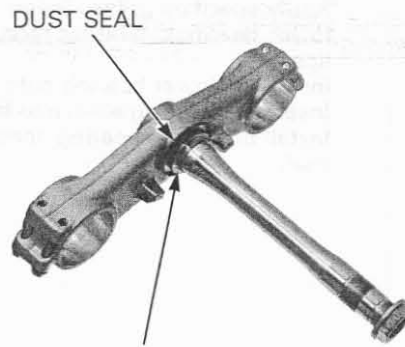


Install a new lower bearing outer race with the special tools as shown.  
While holding the installer shaft with a wrench, turn the upper nut gradually until the race is fully seated.



**LOWER INNER RACE REPLACEMENT**

Temporarily install the steering stem nut onto the stem to prevent the threads from being damaged when removing the lower bearing inner race from the stem.  
Remove the lower bearing inner race with a chisel or equivalent tool, being careful not to damage the stem.  
Remove the dust seal.



LOWER INNER RACE

Apply specified grease (page 1-23) to new dust seal lips and install it over the steering stem.  
Install new lower bearing inner race using a special tool and a hydraulic press.

**TOOL:**  
Steering stem driver 07946-MB00000

