

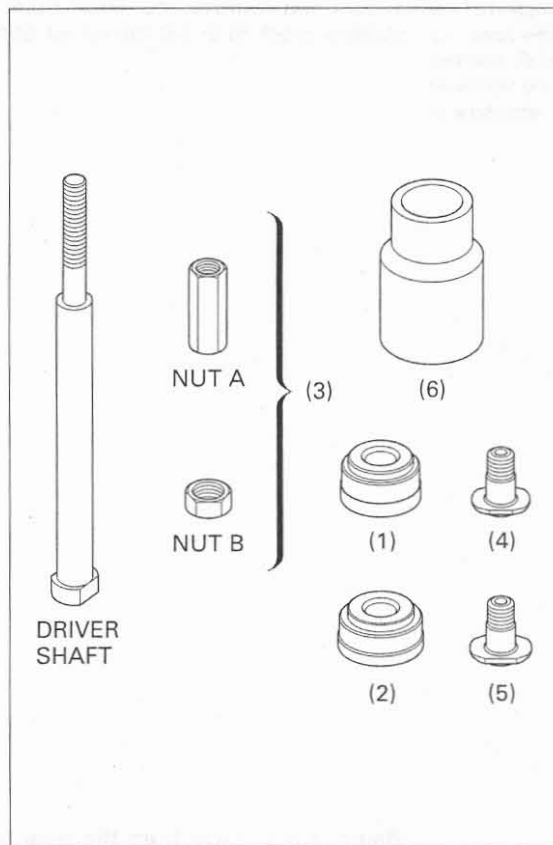
OUTER RACE REPLACEMENT

Always replace the bearings and races as a set.

Replace the races using the special tools as described in the following procedure.

TOOLS: (Not available in U.S.A.)

- | | |
|-------------------------------|---------------|
| (1) Driver attachment (upper) | 070MF-MCJ0100 |
| (2) Driver attachment (lower) | 070MF-MCJ0200 |
| (3) Driver shaft assembly | 07946-KM90301 |
| (4) Bearing remover, A | 07946-KM90401 |
| (5) Bearing remover, B | 07NMF-MT70110 |
| (6) Assembly base | 07946-KM90600 |



Note the installation direction of the assembly base; the small I.D. side facing the upper attachment.

Install the special tools into the steering head as shown.

Align the bearing remover A with the grooves in the steering head.

Lightly tighten the nut B with a wrench.

Holding the driver shaft with a wrench, turn the nut A gradually to remove the upper outer race.

