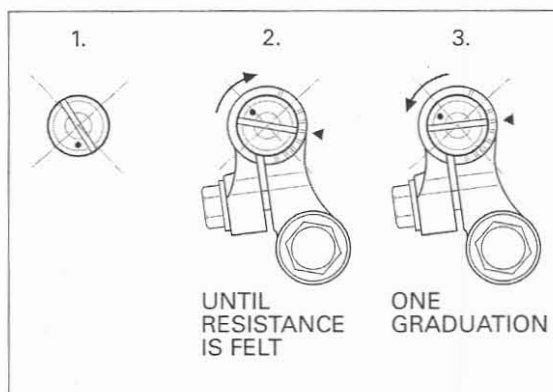
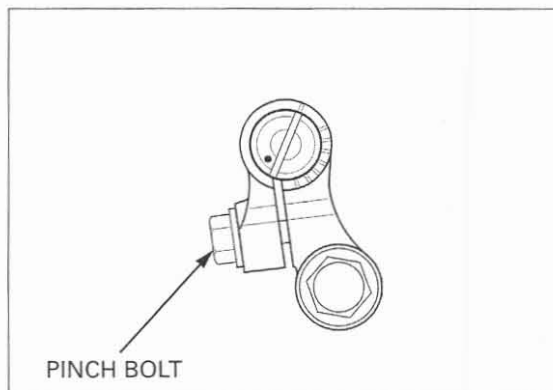


INITIAL BACKLASH ADJUSTMENT

Install the engine into the frame (page 8-9).

Adjust the backlash while the engine is cold (below 35°C/95°F) and the engine is not running. Loosen the balancer shaft holder pinch bolt.

Excessive force can cause balancer gear, bearing and shaft damage. Do not turn the shaft more than necessary. Turn the balancer shaft clockwise until resistance is felt, then back it off one graduation using the slot as a measure.



FINAL BACKLASH ADJUSTMENT

Warm up the engine and let it idle.

If the balancer gear noises are excessive, adjust the balancer backlash as follows:

Turn the balancer gear shaft counterclockwise until the gears begin to make a "whining" noise. Then turn the gear shaft clockwise until the gear "whining" noise disappears.

Tighten the balancer shaft pinch bolt.

After all gear backlash adjustments are done, snap the throttle and make sure the gear noises are not excessive.

If the gear "whine" noise is excessive, the backlash is too small.

If the gear "rattling" noise is excessive, the backlash is excessive.

