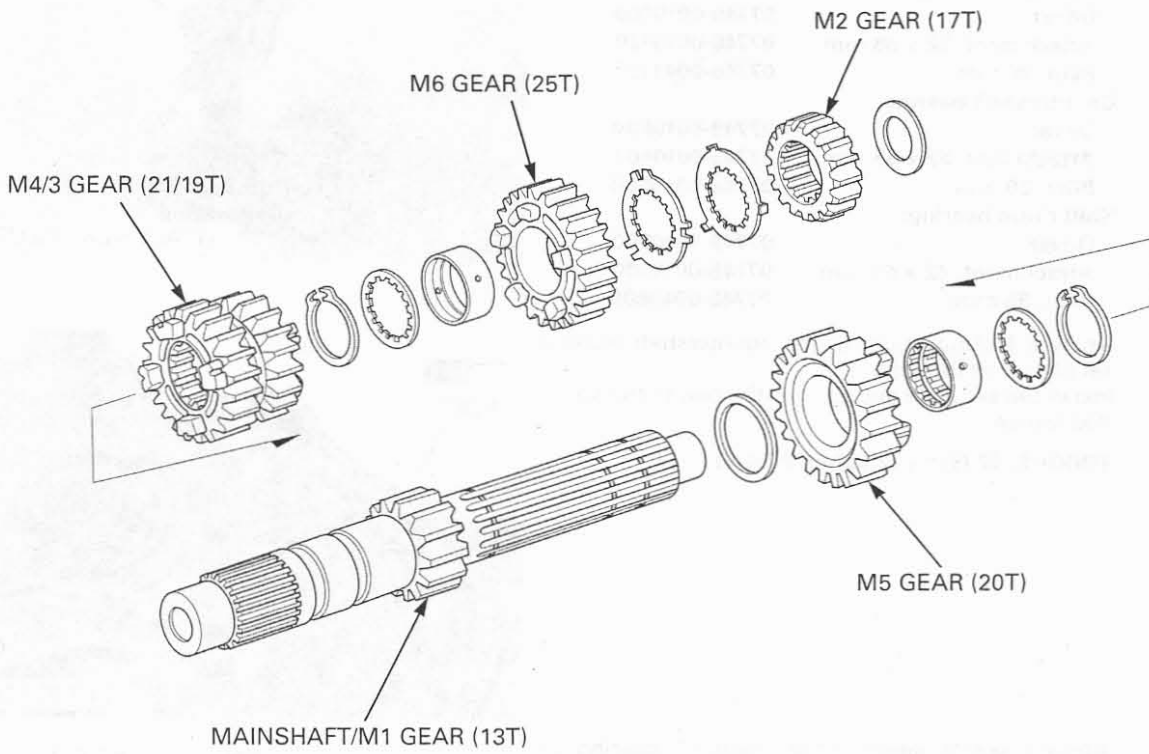


TRANSMISSION/GEARSHIFT LINKAGE

ASSEMBLY

Mainshaft:



Countershaft:

