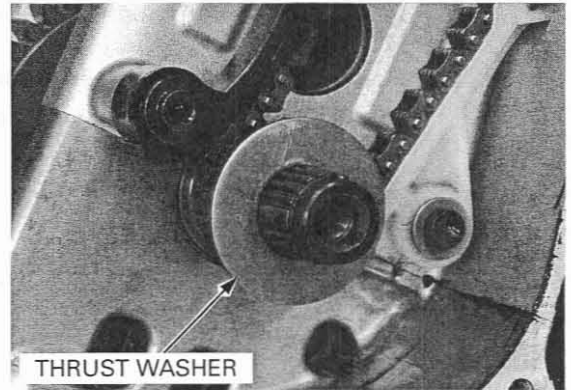
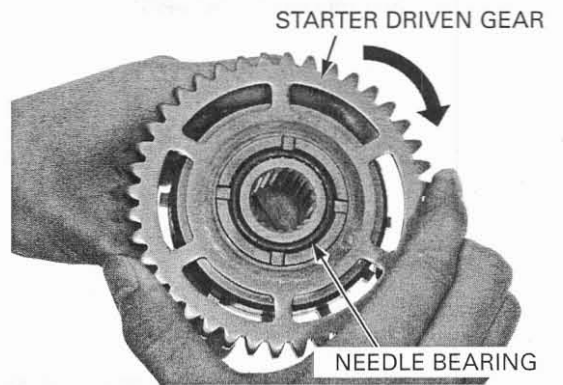


Remove the thrust washer.



INSPECTION

Check the operation of the one-way clutch by turning the driven gear. You should be able to turn the driven gear clockwise smoothly, but the gear should not turn counterclockwise.

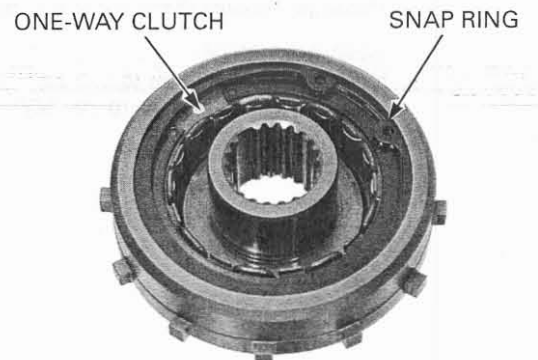


DISASSEMBLY

Remove the starter driven gear by turning it counterclockwise.

Remove the needle bearing.

Remove the snap ring and one-way clutch.



Check the starter clutch outer inner surface and one-way clutch for abnormal wear or damage and replace them if necessary.

