

CYLINDER HEAD/VALVES

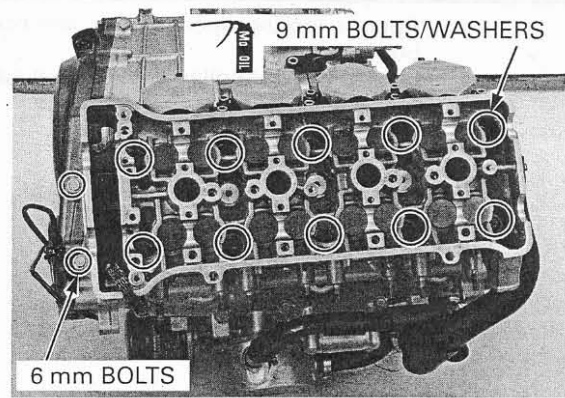
Apply molybdenum disulfide oil solution to the threads and seating surface of the 9 mm bolts/washers and install them.

Install the two 6 mm flange bolts.

Tighten the 9 mm bolts in a crisscross pattern in two or three steps to the specified torque.

TORQUE: 47 N·m (4.8 kgf·m, 35 lbf·ft)

Tighten the 6 mm flange bolts.

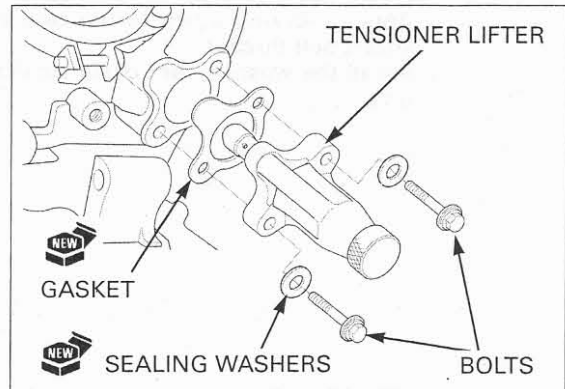


Install the cam chain tensioner lifter onto the cylinder head with a new gasket.

Install and tighten the socket bolts to the specified torque.

TORQUE: 9.8 N·m (1.0 kgf·m, 7 lbf·ft)

Install the engine into the frame (page 8-9).

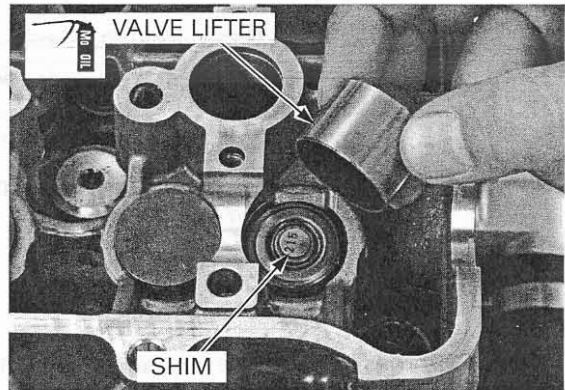


CAMSHAFT INSTALLATION

Apply molybdenum oil solution to the outer surface of the each valve lifter.

Install the shims and valve lifters in their original locations.

Install the shims on the retainers and valve lifters into the valve lifter bores.



Each camshaft has an identification mark.

- IN: Intake camshaft
- EX: Exhaust camshaft

