

FUEL SYSTEM (Programmed Fuel Injection)

Install the return spring onto the housing while aligning its end with the housing boss.
Install the spring collar.

Install the stopper arm onto the valve shaft.

Install the pulley and then install the new lock washer while aligning its tabs with the pulley as shown.

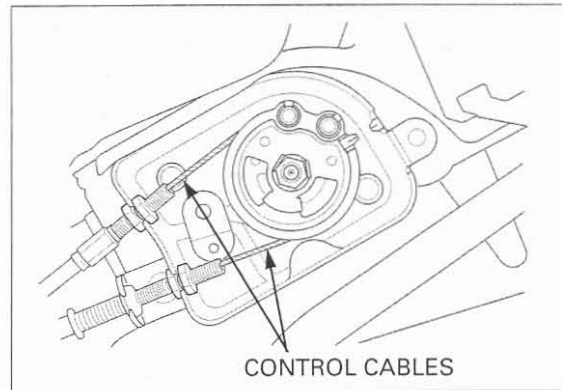
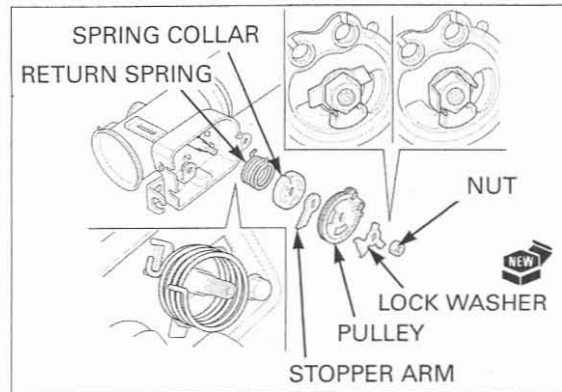
Install and tighten the pulley nut to the specified torque.

TORQUE: 4.9 N·m (0.5 kgf·m, 3.6 lbf·ft)

Bend up the tabs of the lock washer and secure the nut.

Connect the control cables to the pulley.

Adjust the control cable (page 4-35).

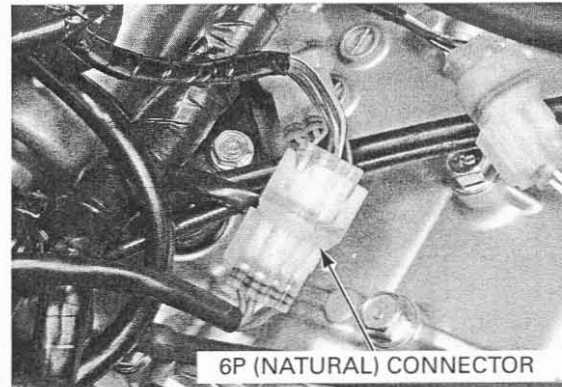


EGCV SERVOMOTOR

REMOVAL

Lift and support the fuel tank (page 4-5).

Disconnect the servomotor 6P (Natural) connector.



Remove the bolt and middle cowl stay/cable protector.

