

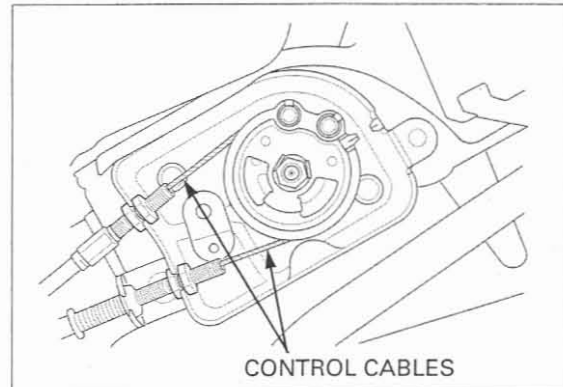
FUEL SYSTEM (Programmed Fuel Injection)

EGCV (Exhaust Gas Control Valve)

EGCV control cable adjustment (page 4-35).

DISASSEMBLY

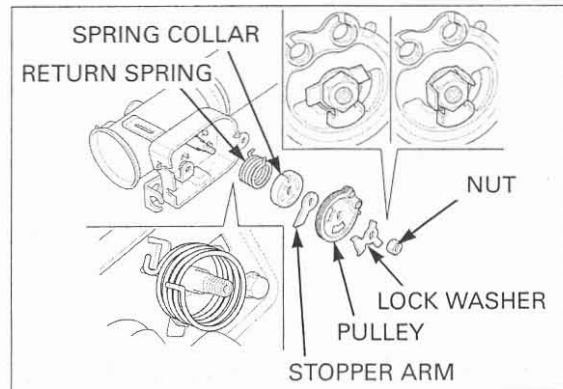
Disconnect the control cables from the pulley.



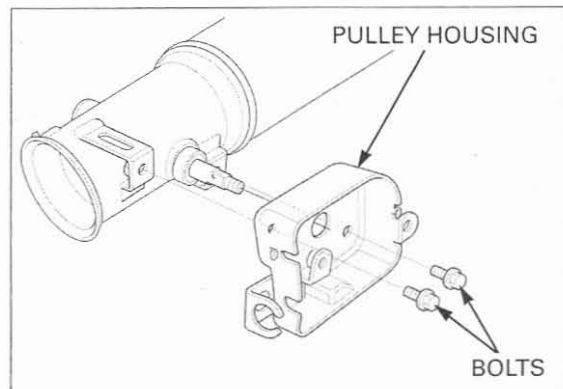
Bend up the tabs of the lock washer.

Hold the pulley and loosen the pulley nut.

Remove the lock washer, pulley, stopper arm, spring collar and return spring.



Remove the bolts and pulley housing.



Bend up the tabs of the lock washer.

Remove the butterfly valve retaining screws, lock washer and butterfly valve.

