

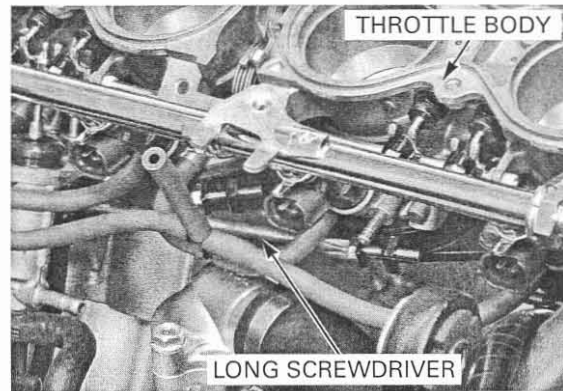
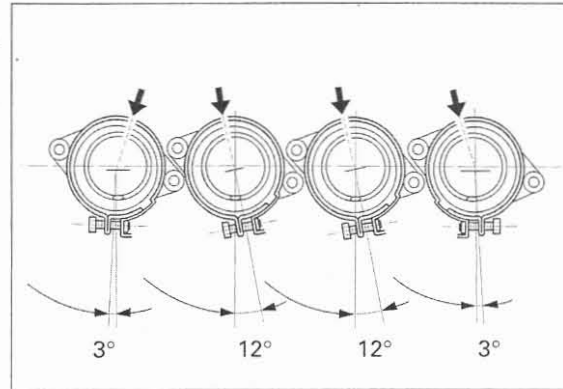
FUEL SYSTEM (Programmed Fuel Injection)

INSTALLATION

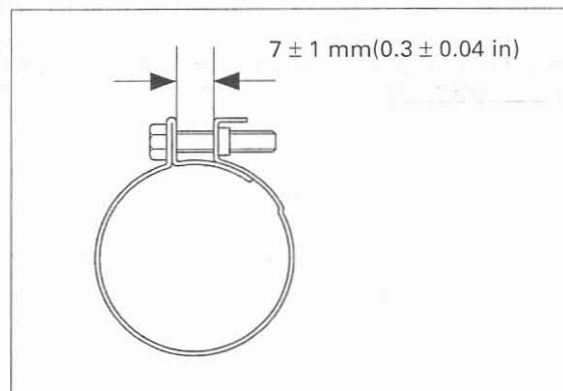
Adjust the insulator band angle as shown.

Apply oil to the insulator inside surfaces for ease of throttle body installation.

Do not hold the fuel rail on the throttle body to install the throttle body. Install the throttle body into the insulators.



Tighten the throttle body side insulator band screw so that the insulator band distance is 7 ± 1 mm (0.3 ± 0.04 in).



Route the throttle stop screw knob properly, install it onto the clamp.

