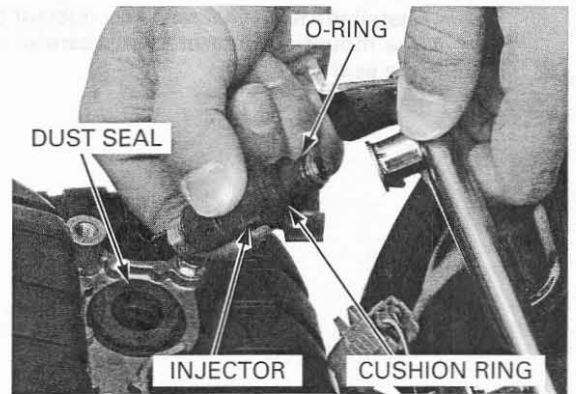
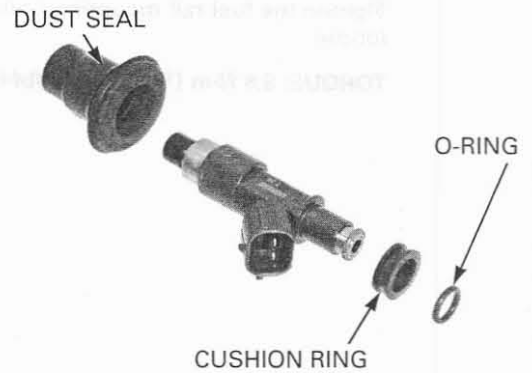


Remove the injectors from the fuel rail.
Remove the dust seals.



Remove the O-ring and cushion ring.

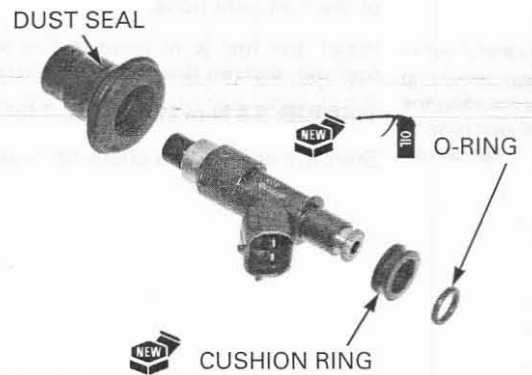


INSTALLATION

Apply oil to a new O-ring.

Replace the seal ring, cushion ring and O-ring with new ones as a set.

Install the new cushion ring, and O-ring, being careful not to damage the O-ring.



Install the fuel injectors into the fuel rail, being careful not to damage the O-ring and cushion ring.
Check the dust seal for wear or damage, replace it if necessary.

