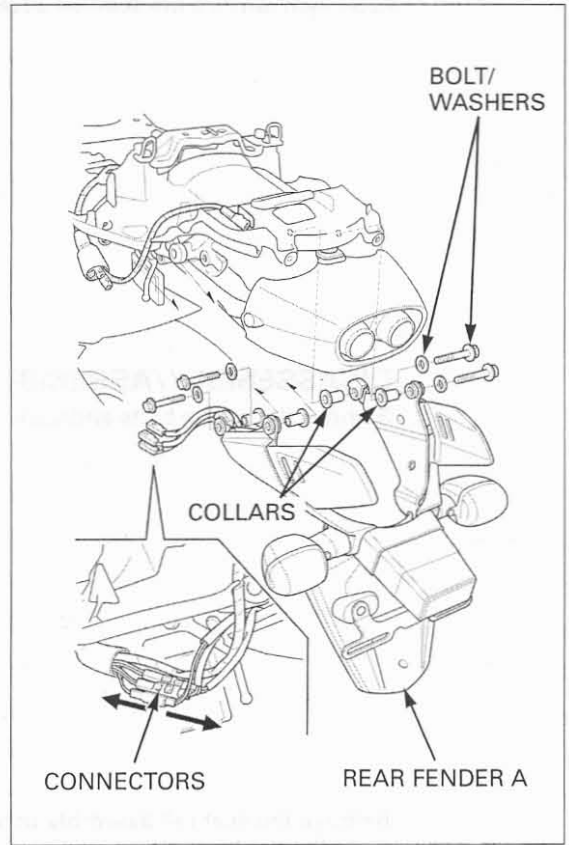


REAR FENDER A INSTALLATION

Install the rear fender A assembly, washers and bolts, then tighten the bolts securely. Connect the turn signal and license light connectors.

Install the rear cowl (page 3-5).



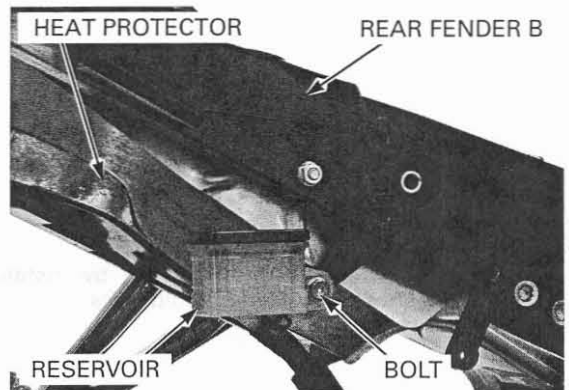
SEAT RAIL

REMOVAL

Remove the following:

- Muffler (page 3-30)
- Rear fender A and B (page 3-19)
- Fuel tank (page 6-36)

Remove the bolt and rear brake reservoir.



Remove the socket bolts and left passenger footpeg bracket.

