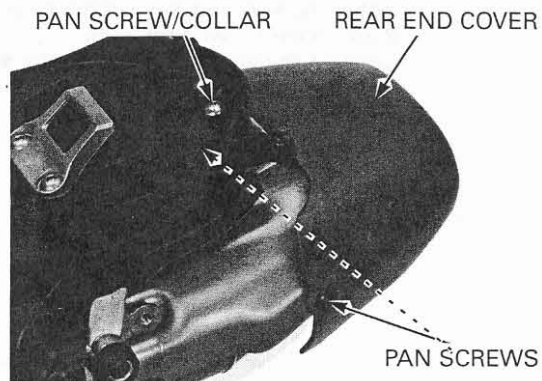


FRAME/BODY PANELS/EXHAUST SYSTEM

- Install the collar between the muffler and rear fender B.* Install the muffler rear end cover and collar.
Install and tighten the pan screws.
Install the battery (page 17-5).

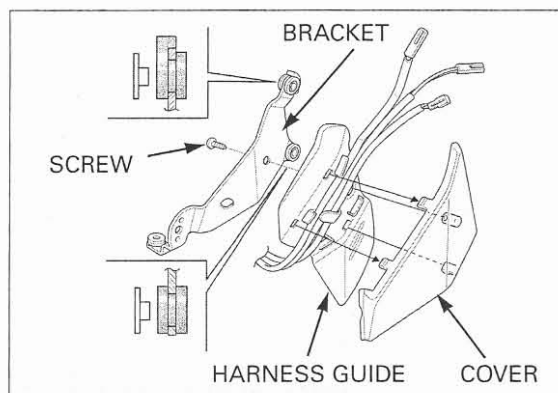


REAR FENDER A ASSEMBLY

When installing the grommets and collars, note the installation direction of the grommets and collars.

Route the turn signal and tail light wire into the left harness guide.

Install the cover and bracket and tighten the screw securely.



Install the right cover onto the rear fender A bracket, tighten the screw.

Install the turn signal bracket onto the rear fender A bracket, then assemble the rear fender A, brackets and license light.

Install and tighten the license light mounting nuts. Install and tighten the rear turn signal unit mounting nuts.

