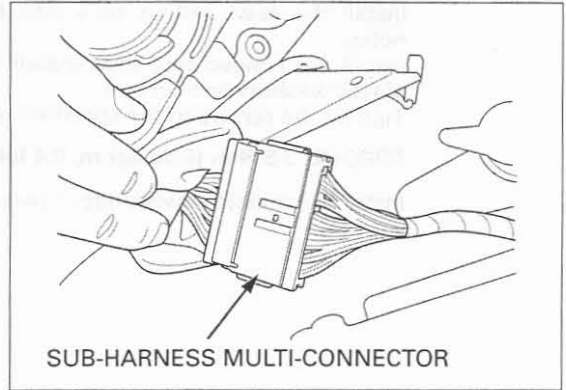
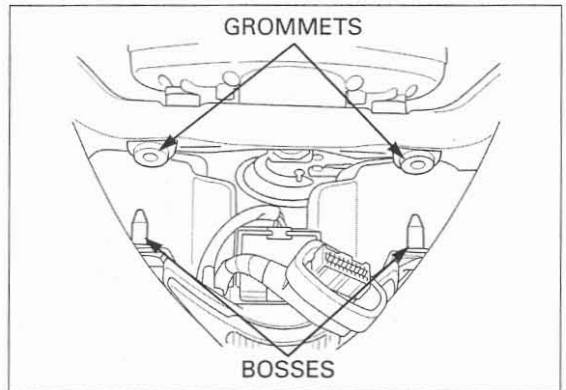


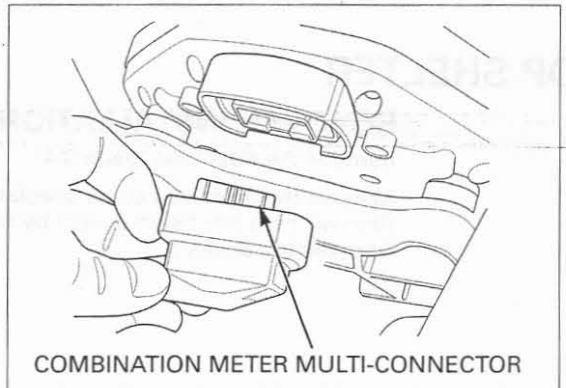
Connect the front sub-harness connectors, combination meter multi-connector.



Install the upper cowl, aligning the bosses with the grommets on the upper cowl stay.



Connect the combination meter multi-connector.



Align the rearview mirror bolt hole studs of upper cowl with the rearview mirror stay.

Install the rearview mirror and tighten the socket bolts to the specified torque.

TORQUE: 6.8 N-m (0.7 kgf-m, 5.1 lbf-ft)

