

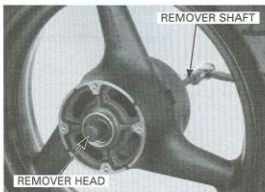
## REAR WHEEL/SUSPENSION

### Wheel bearing removal

Install the bearing remover head into the bearing.  
From the opposite side install the bearing remover shaft and drive the bearing out of the wheel hub.  
Remove the distance collar and drive out the other bearing.

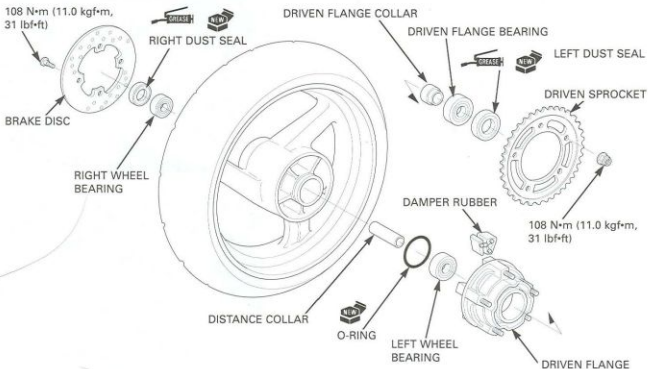
### TOOLS:

Bearing remover head, 20 mm 07746-0050600  
Bearing remover shaft 07746-0050100



### ASSEMBLY

108 N·m (11.0 kgf·m,  
31 lbf·ft)



### Wheel bearing installation

Drive in a new right bearing.

### TOOLS:

Driver 07749-0010000  
Attachment, 42 X 47 mm 07746-0010300  
Pilot, 20 mm 07746-0040500

