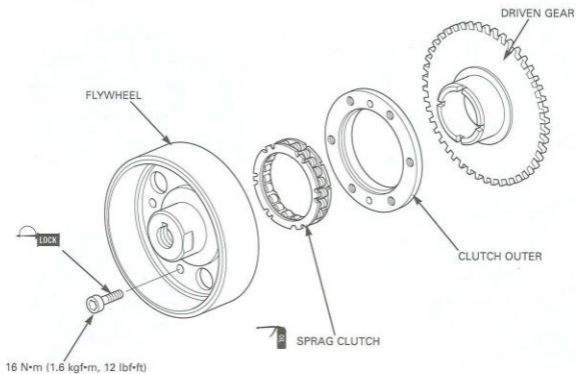
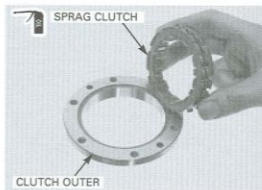


ALTERNATOR/STARTER CLUTCH

ASSEMBLY



Apply engine oil to the sprag clutch contacting surfaces.
Install the sprag clutch into the starter clutch outer with the flange side facing out.



Install the starter one-way clutch assembly onto the flywheel.

