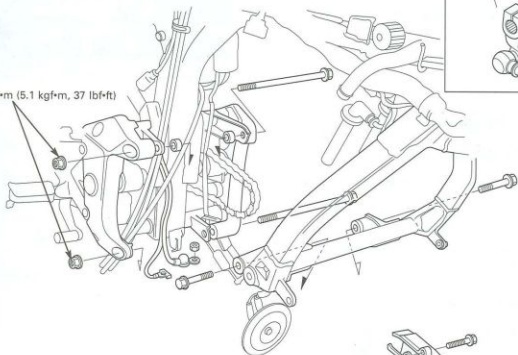
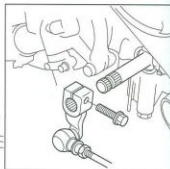
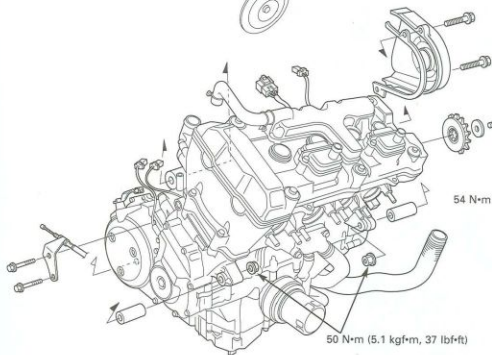


ENGINE REMOVAL/INSTALLATION

50 N·m (5.1 kgf·m, 37 lbf·ft)



54 N·m (5.5 kgf·m, 40 lbf·ft)



50 N·m (5.1 kgf·m, 37 lbf·ft)