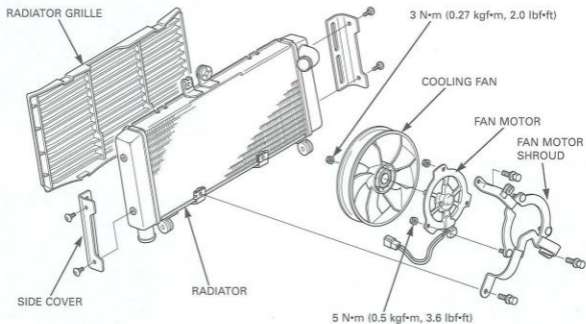


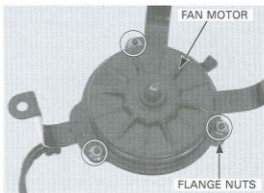
ASSEMBLY



Install the fan motor onto the fan motor shroud and tighten the flange nuts to the specified torque.

**TORQUE: 5 N·m (0.5 kgf·m, 3.6 lbf·ft)**

Install the fan motor wire to the clamp.



Install the cooling fan onto the fan motor shaft by aligning the flat surfaces.

