

Fig. F2-18 ① Balance weight

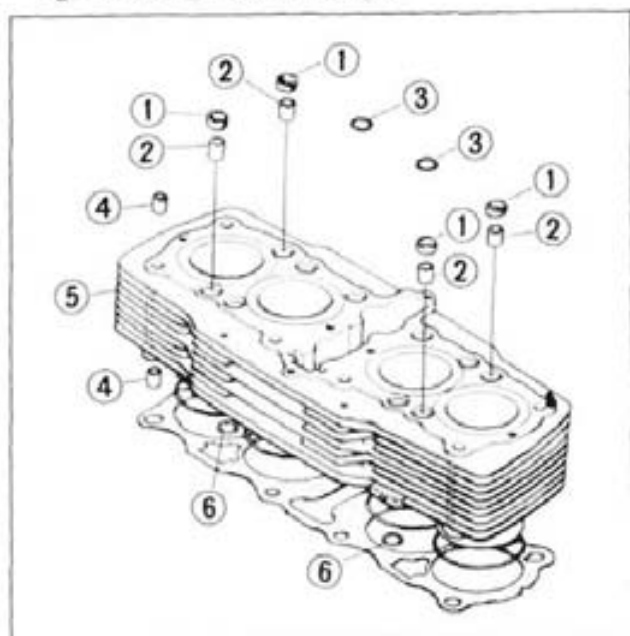


Fig. F2-19 ① Stud bolt packing
 ② Special knock pin (12mm)
 ③ O-ring (11×2.5)
 ④ Dowel pin (12×18)
 ⑤ Cylinder
 ⑥ O-ring

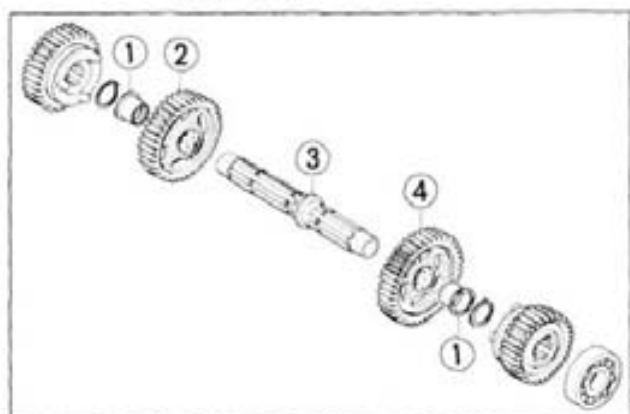


Fig. F2-20 ① 28mm bushing
 ② Countershaft 3rd gear
 ③ Countershaft
 ④ Countershaft 2nd gear

C. Wheel balance

(Refer to page 228.)

Install the balance weight on the rim flange as shown in Fig. F2-18.

Balance weight: 20g (0.7oz.)

30g (1.0oz.)

5. CYLINDER

The 12mm special knock pins and cylinder stud bolt packings have been decreased from eight to four.

6. TRANSMISSION

The countershaft thrust washers have been integrated into the gear bushings.

7. CARBURETOR

Refer to page 253.

Carburetor setting table

Item	
Main jet No.	≠105
Air jet No.	≠120
Slow jet No.	≠35
Slow air jet No.	≠150
Jet needle setting	F2051F-2
Float height	14.5mm (0.571in.)

8. DRIVE CHAIN

Refer to page 258.

9. SWITCH HOUSING

Refer to page 260.