

FUEL SYSTEM

CARBURETOR (link type)

The quadruple piston type carburetors are mounted on the cylinder head with a stay plate. Choke lever is a link type which operates all four choke valves simultaneously.

To simplify the idle adjustment and synchro-

nization of the carburetors, the throttle cables from the four carburetors are joined to operate from a single linkage.

Fig. 11 shows the construction details of the carburetor.

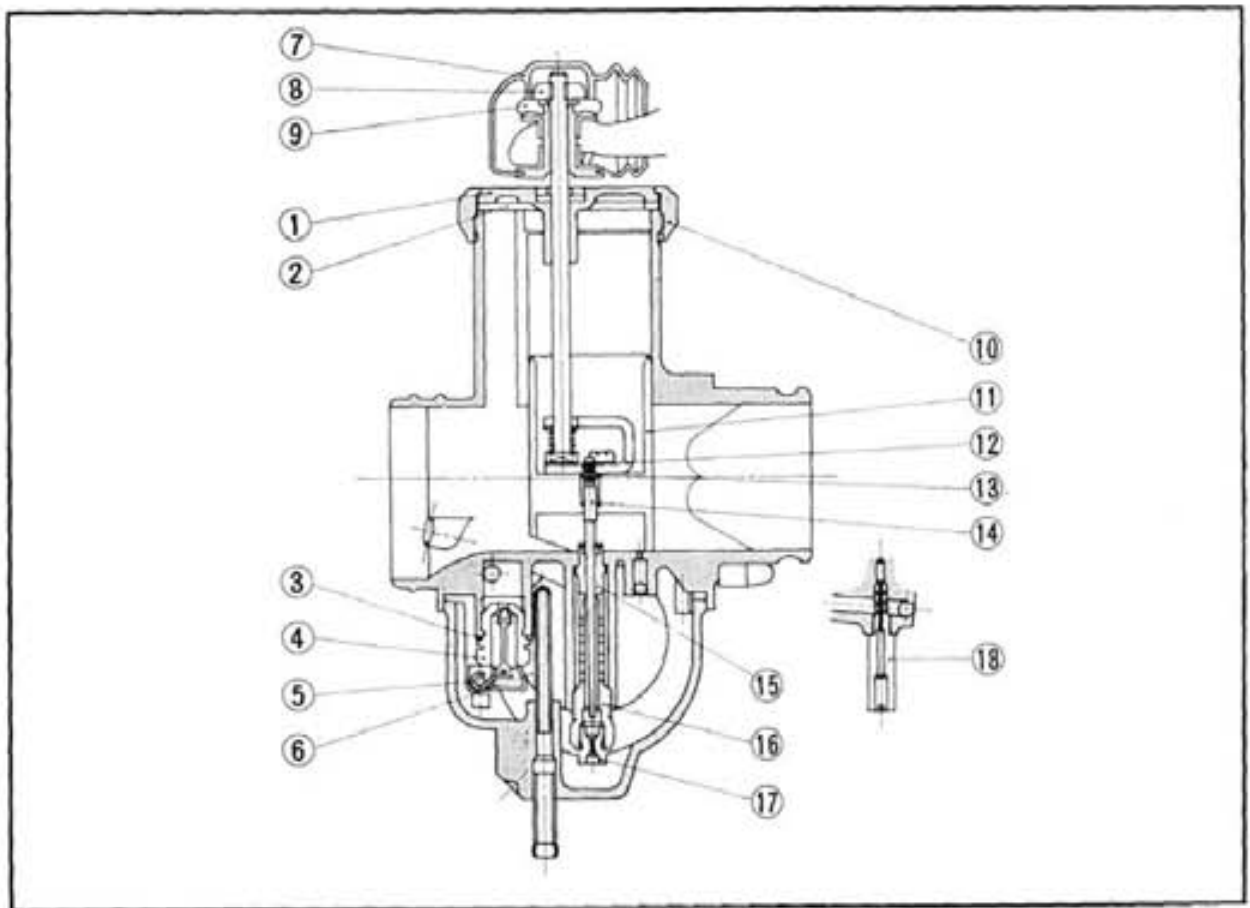


Fig. 20-6

- | | |
|------------------|---------------------|
| ① Carburetor top | ⑩ Cap |
| ② Top washer | ⑪ Throttle valve |
| ③ Flat washer | ⑫ Needle set plate |
| ④ Valve seat | ⑬ Clip |
| ⑤ Float arm pin | ⑭ Jet needle |
| ⑥ Float | ⑮ Needle jet |
| ⑦ Rubber cap | ⑯ Needle jet holder |
| ⑧ Lock nut | ⑰ Main jet |
| ⑨ Adjuster screw | ⑱ Slow jet |