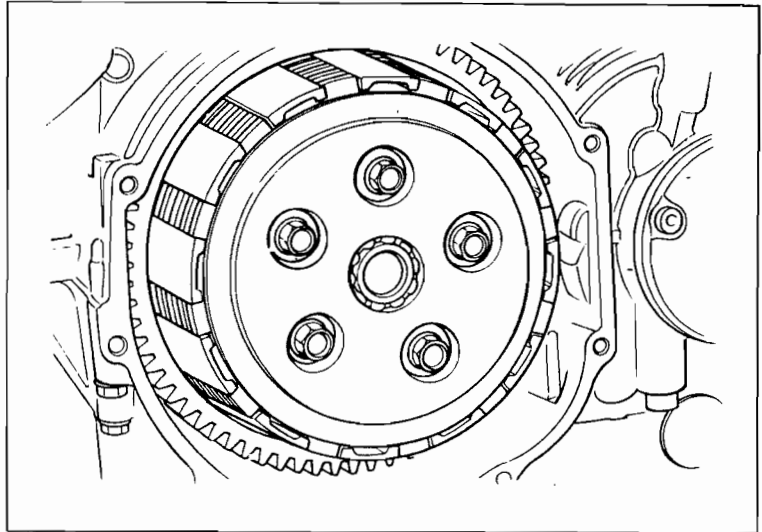




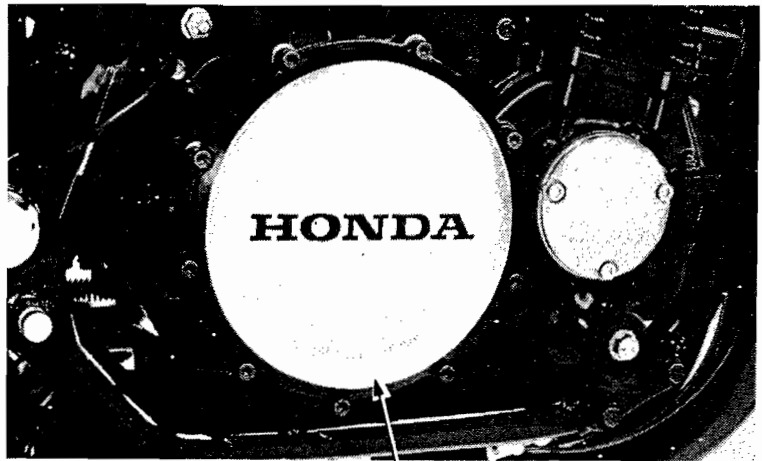
Install the clutch springs, plain washers and bolts.

NOTE

Tighten the bolts evenly in 2-3 steps in a crisscross pattern.



Install a new gasket onto the clutch cover.
Install the clutch cover with the nine socket bolts.
Install the brake pedal and right foot peg (Page 15-11).
Fill the crankcase with the recommended oil (Page 2-3).



CLUTCH COVER