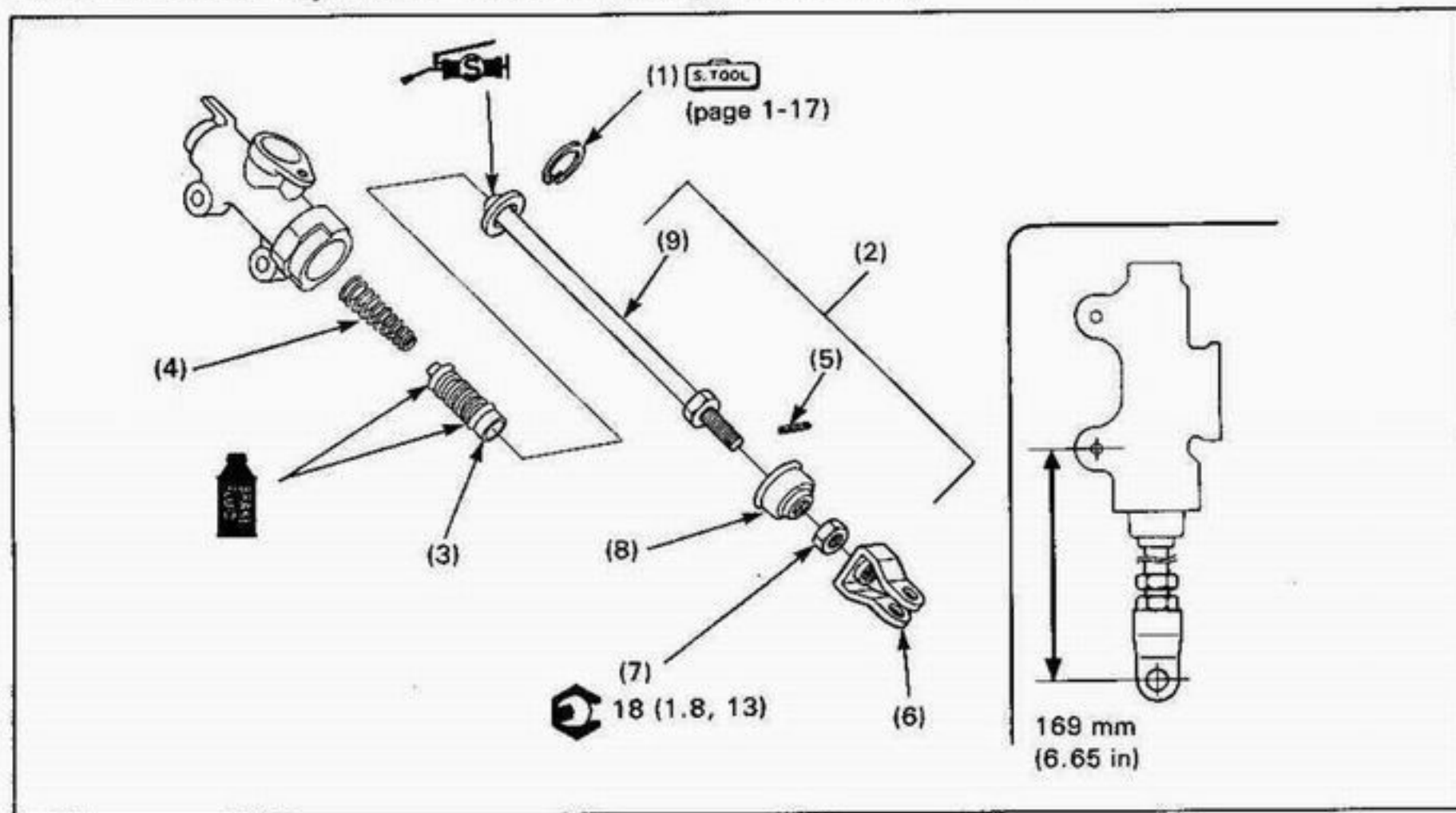


Rear Master Cylinder Disassembly/Assembly



CAUTION

- Spilled brake fluid will damage painted, plastic or rubber parts. Cover these parts when servicing the brake system.

NOTE

- Replace the master piston, spring, cups, snap ring and boot as a set.
- The master piston, cups and spring must be installed as a set.

Requisite Service

- Brake fluid replacement/air bleeding (section 17 of the Common Service Manual)
- Rear master cylinder removal/installation (page 12-6)

Procedure	Q'ty	Remarks
(1) Disassembly Order Snap ring	1	Assembly is in the reverse order of disassembly. CAUTION • Be certain the snap ring is fully seated in the groove. • Install the snap ring with the chamfered side facing the master piston.
(2) Push rod assembly	1	
(3) Master piston assembly	1	
(4) Spring	1	Install the spring with the tapered side facing the master piston.
(5) Spring pin	1	
(6) Push rod joint	1	
(7) Lock nut	1	
(8) Rubber boot	1	
(9) Push rod	1	