

## Spring, Lower Seat Removal/Installation

Install the shock absorber compressor and attachment on the shock absorber.

### NOTE

- Install the compressor securely against the spring and tighten the nut securely.

**S TOOL**

Shock absorber compressor

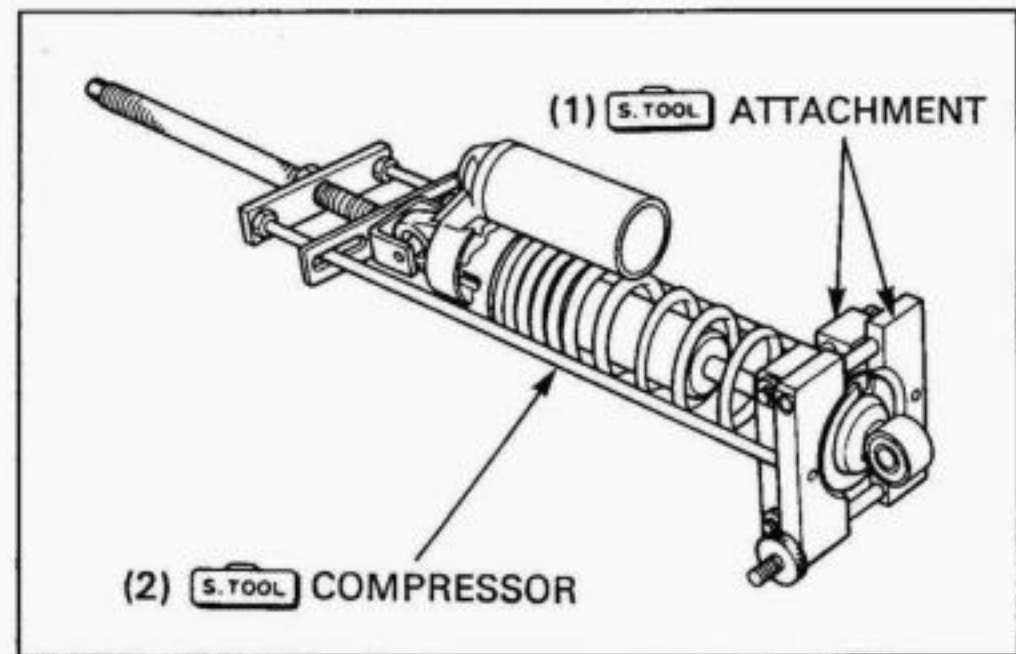
07GME-0010000

Compressor attachment

07959-MB10000

Compressor attachment

07967-KC10100



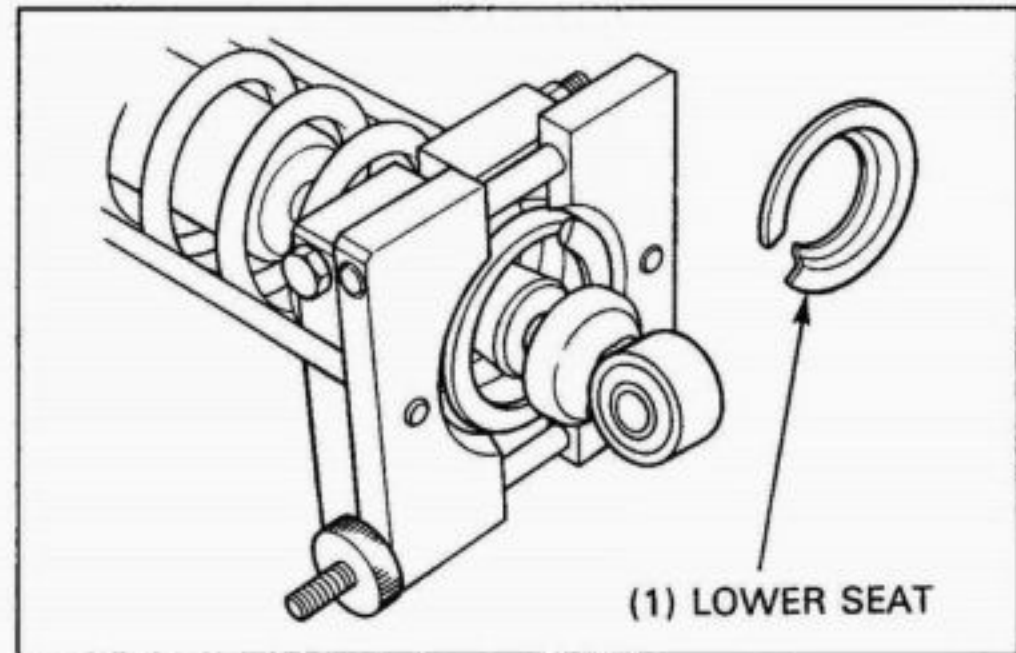
Compress the shock spring and remove the lower seat.

### CAUTION

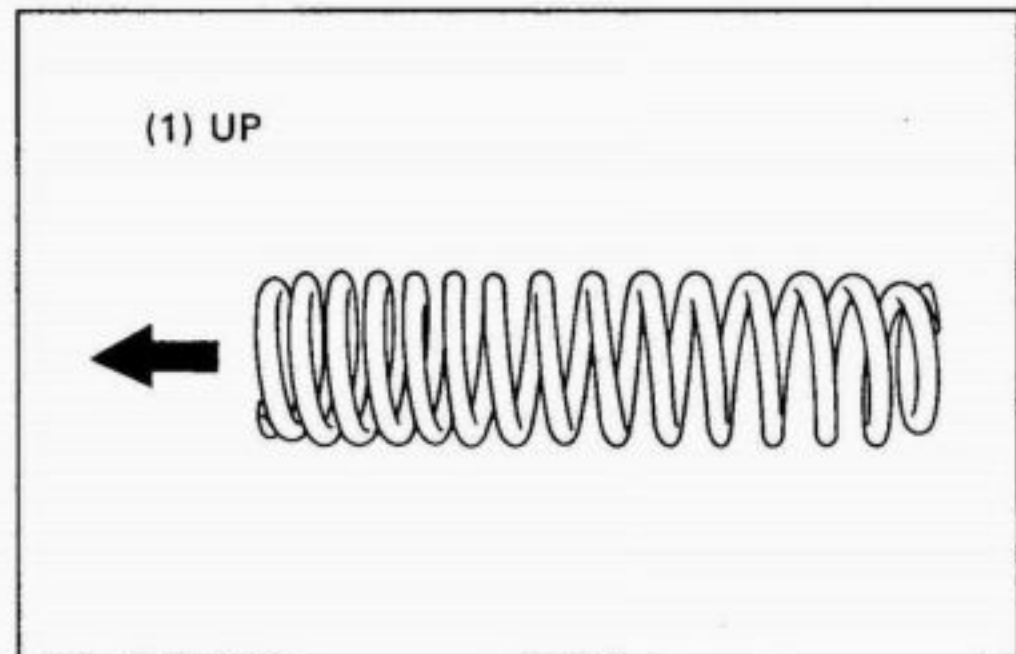
- Do not compress the spring more than necessary.

Loosen the shock absorber compressor slowly and remove the shock absorber and attachment.

Remove the shock absorber spring.



Install the shock absorber spring with tightly wound coil end facing up.



Install the special tools and compress the shock spring.  
Install the lower seat securely.

**S TOOL**

Shock absorber compressor

07GME-0010000

Compressor attachment

07959-MB10000

Compressor attachment

07967-KC10100

### NOTE

- Install the compressor securely against the spring and tighten the nut securely.

Loosen the shock absorber compressor slowly and remove the shock absorber and attachment.

