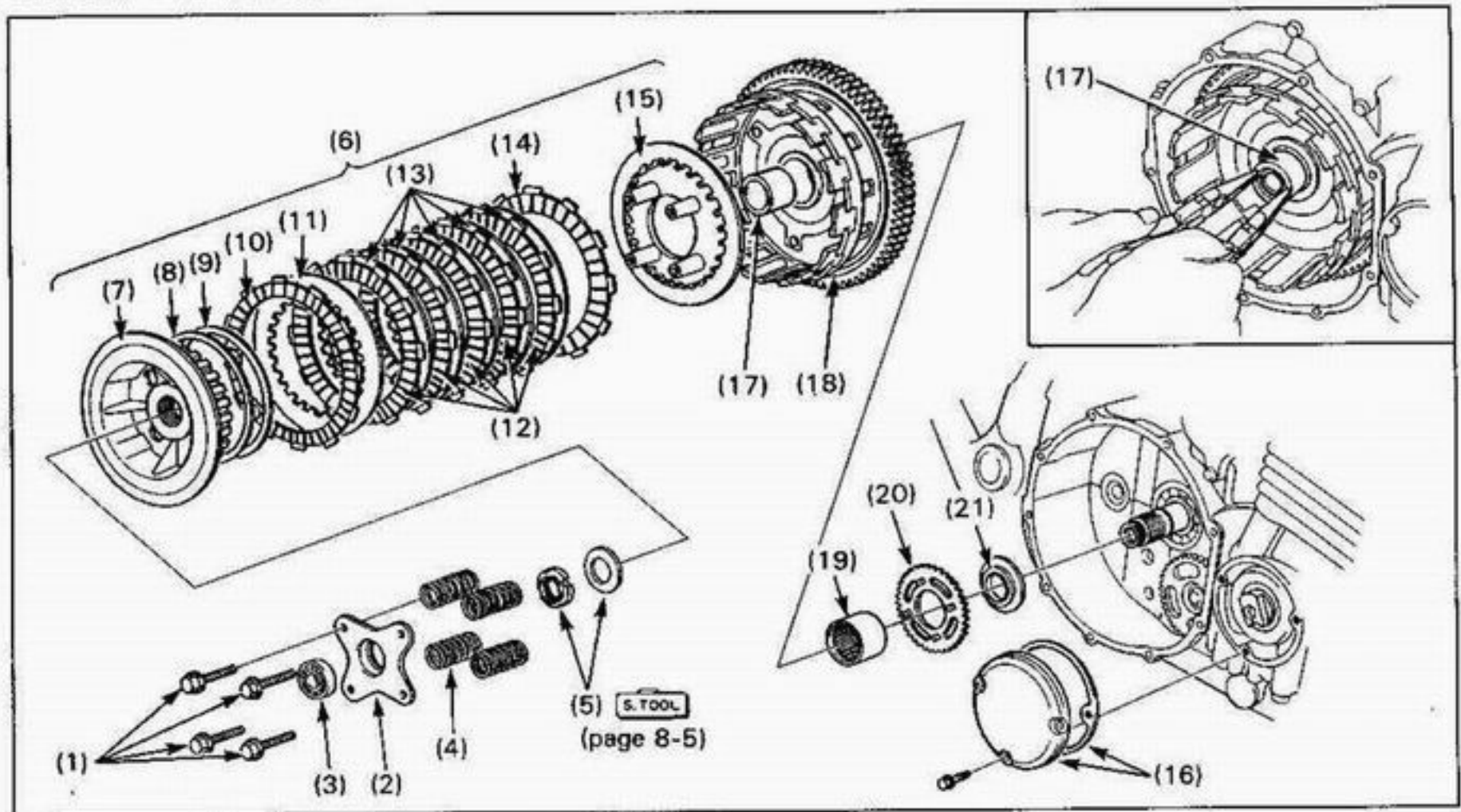


## Clutch Removal



### NOTE

- Turn the crankshaft clockwise until the No.4 crank weight is positioned at BTDC.

### Requisite Service

- Clutch cover removal (page 8-2)

Procedure		Q'ty	Remarks
<b>Removal Order</b>			
(1)	Clutch lifter plate bolt	4	
(2)	Clutch lifter plate	1	
(3)	Clutch lifter plate bearing	1	
(4)	Clutch spring	4	
(5)	Clutch center lock nut/lock washer	1	Removal (page 8-5)
(6)	Clutch assembly		
(7)	– clutch center	1	
(8)	– spring seat	1	
(9)	– judder spring	1	
(10)	– clutch friction disc C	1	Larger I.D. disc/Color: black
(11)	– clutch plate B	1	Color: gray
(12)	– clutch friction disc B	5	Smaller I.D. disc
(13)	– clutch plate A	5	Color: silver
(14)	– clutch friction disc A	1	Smaller I.D. disc/Color: black
(15)	– pressure plate	1	
(16)	Right crankshaft cover/gasket	1	
(17)	Clutch outer guide	1	Pull the clutch outer guide out with needle nose pliers.
(18)	Clutch outer	1	
(19)	Needle bearing	1	
(20)	Oil pump drive sprocket	1	
(21)	Collar	1	