

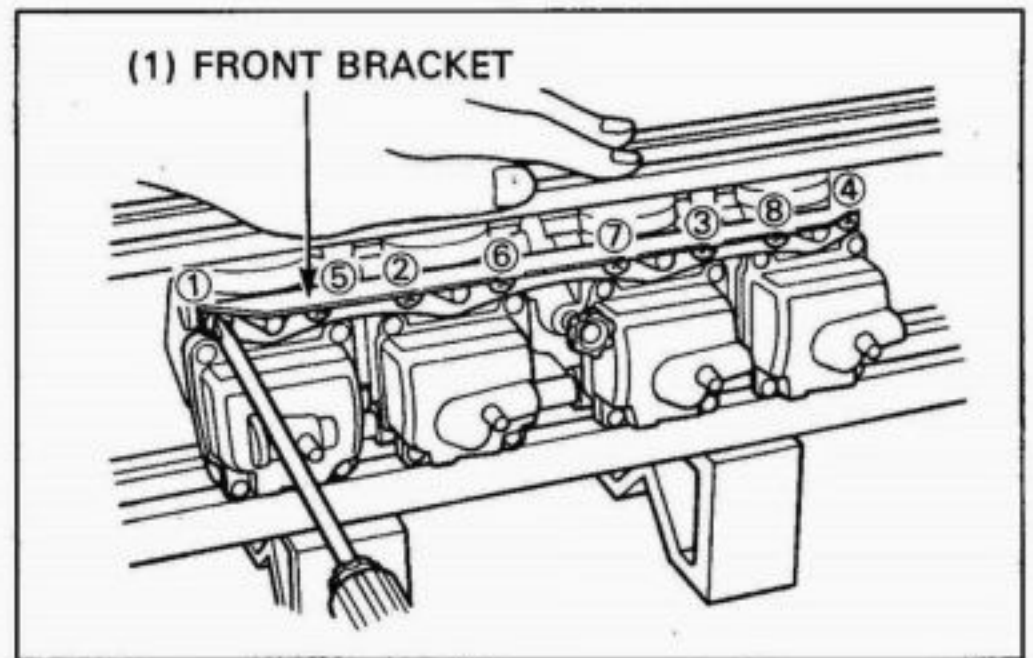
Requisite Service

- Carburetor assembly (page 5-8)

Procedure		Q'ty	Remarks
Assemble the No. 1 and No. 2 carburetors			No. 2 carburetor is the base carburetor.
(1)	Fuel joint pipe (2-way)/O-ring	1/2	Install on No. 2 carburetor.
(2)	Air vent pipe/O-ring	1/2	
(3)	Thrust spring	1	
(4)	No. 1 carb. synchronization spring	1	
(5)	Fuel joint pipe (3-way)/O-ring	1/2	
Assemble the No. 3 and No. 4 carburetors			
(6)	Fuel joint pipe (2-way)/O-ring	1/2	
(7)	Air vent pipe/O-ring	1/2	
(8)	No. 4 carb. synchronization spring	1	
(9)	Thrust spring	1	
Assemble the carburetor pairs:			Installation (see below)
(10)	No. 3 carb. synchronization spring	1	
(11)	Front bracket	1	
(12)	Front bracket screw	8	
(13)	Rear bracket	1	
(14)	Rear bracket screw	8	
(15)	Bystarter arm	4	
(16)	Spring	1	
(17)	Bystarter arm shaft	1	
(18)	Bystarter arm screw	4	

Front/Rear Bracket Installation

Install the front bracket and screws loosely. Place the carburetors on a flat surface with the front side facing up. Press the carburetors together carefully and tighten the front bracket screws in the sequence shown in two or three steps to prevent carburetor misalignment.



Install the rear bracket and screws using the sequence shown in two or three steps.

